

EUROPOWER Generators

Table of contents

Honda	
Honda super-silenced INVERTER generators with air-cooled gasoline engine, 50Hz.....	1
Honda frame generators with air-cooled gasoline engine, 50Hz.....	1
Options for HONDA generators.....	1a
Honda water pumps with air-cooled gasoline engine.....	1b
Europower generators standard, air-cooled with gasoline engine	
with Honda and B&S gasoline engine, 3000rpm, 50Hz.....	2
EN1 and EN2 with Honda gasoline engine, 3000rpm, 50Hz.....	2a
Europower generators semi-silenced, air-cooled	
" long run " with Honda gasoline engine, 3000rpm, 50Hz.....	3
Europower generators standard, air-cooled with diesel engine	
with Hatz and Yanmar diesel engine, 3000rpm, 50Hz.....	4
Europower generators super-silenced	
with air-cooled engine, 3000rpm, 50Hz.....	5
Europower generators, water-cooled up to 44kVA	
open with Kubota diesel engine, 3000 or 1500rpm, 50Hz.....	6
super-silenced with Kubota diesel engine, 3000rpm, 50Hz.....	7
super-silenced with Kubota diesel engine, 1500rpm, 50Hz.....	8
rental silenced with Kubota diesel engine, 3000rpm, 50Hz.....	8
rental silenced with Kubota diesel engine, 1500rpm, 50Hz.....	8
rental ultra-silenced with Kubota diesel engine, 1500rpm, 50Hz.....	8
Europower generators, water-cooled from 60kVA	
open 60kVA with Iveco diesel engine, Stage IIIA, 1500rpm, 50Hz.....	9
open from 100 up to 250kVA with Volvo diesel engine, Stage IIIA, 1500rpm, 50Hz.....	9
open 60kVA with Iveco diesel engine, Stage II, 1500rpm, 50Hz.....	9a
open from 85 up to 600kVA with Volvo diesel engine, Stage II, 1500rpm, 50Hz.....	9a
silenced 60kVA with Iveco diesel engine, Stage IIIA, 1500rpm, 50Hz.....	10
silenced from 100 up to 250kVA with Volvo diesel engine, Stage IIIA, 1500rpm, 50Hz.....	10
silenced 60kVA with Iveco diesel engine, Stage II, 1500rpm, 50Hz.....	10a
silenced from 85 up to 600kVA with Volvo diesel engine, Stage II, 1500rpm, 50Hz.....	10a
rental 60kVA with Iveco diesel engine, Stage IIIA, 1500rpm, 50Hz.....	11
rental from 100 up to 250kVA with Volvo diesel engine, Stage IIIA, 1500rpm, 50Hz.....	11
rental ultra-silenced from 130 up to 180kVA with Volvo diesel engine, Stage IIIA, 1500rpm, 50Hz.....	11
rental 60kVA with Iveco diesel engine, Stage II, 1500rpm, 50Hz.....	11a
rental from 85 up to 250kVA with Volvo diesel engine, Stage II, 1500rpm, 50Hz.....	11a
Europower welders	
welders with gasoline and diesel engine, 3000rpm, 50Hz.....	12
standard and EN1 welders with Honda air-cooled gasoline engine, 3000rpm, 50Hz.....	12a
Options	
for air-cooled generators 3000rpm.....	13
for generators with water-cooled Kubota engine.....	14
for EP open generators with water-cooled Iveco / Volvo engine.....	15
for EPS silenced generators with water-cooled Iveco / Volvo engine.....	16
for EPSR silenced rental generators with water-cooled Iveco / Volvo engine.....	17
Specials	
Combinations with Automatic Start/Stop Systems: in case of mains failure (ASSS) or on external contact (PDM1/DSE3110).....	18
Europower generators with asynchronous Soga or synchronous Soga/GTS alternator, IP54 protection, 3000rpm, 50Hz.....	19a
Europower 60Hz generators, 3600rpm	19a
Europower generators according to "BG BAU" and "DGUV - Class B", with synchronous SOGA or GTS alternator, protection IP54 , with insulation protection acco	19b
Europower generators according to DIN14685 with synchronous brushless alternator, AVR, IP54 , 3000rpm, 50Hz.....	20
P.T.O. three-phase tractor alternators IP23.....	21
P.T.O. three-phase tractor alternators IP44.....	22
Bunded Fuel Tanks - IBC's, with VlareM/KIWA/UN/ADR/RID/IMDG approval.....	23
Legend	
	24

Honda super-silenced INVERTER generating sets with air-cooled gasoline engine, 50Hz, 4 stroke

Article code	TYPE	Price in EURO (ex. VAT)	kVA max.	kVA cont.	Amp.		Engine HONDA (EU Stage)	HP max.	kW max.	cm ³	Tank (l)	Cons. @75% load (l/h)	Auto-nomy @75% load (h)	Version	Dimensions (cm)	kg	dB(A) @ 7m	LWA
					1 ~ 230V	12V DC												
999000601	EU10i	909	1	0.9	3.9	8.3	GXH50 (V)	2.2	1.6	49	2.1	0.6	3.5	A0-AVR-DC12-O-P-R-TM	45x24x38	13	62	87
999000622	EU22i	1363	2.2	1.8	7.8	8.3	GXR120 (V)	3.1	2.3	121	3.6	0.9	4	A-AVR-DC12-O-P-R-TM	52x29x43	21	65	90
999000605	EU30is	2438	3	2.8	12.2	11.7	GX200 (V)	5.6	4.1	196	13.3	1.4	9.5	A-AVR-DC12-E1-FG-O-R-TM	67x48x57	61	66	91
999000619	EU70is	4545	7	5.5	24	-	GX390 (V)	11.1	8.2	389	19.2	2.5	7.7	A9-AC-AVR-E1-FG-h-O-R-TM	85x70x73	119	66	91

Version All types have a 12V DC plug (except EU70is), thermal protection against overcharge, oil guard and recoil starter.
The EU10i has 1 socket 230V - 16A, the EU22i and EU30is have 2 sockets 230V - 16A.
The EU70is has 2 sockets 230V - 16A + 1 CEE socket 230V - 16A.
Moreover, the EU10i, EU22i, EU30is and EU70is have an automatic engine speed regulation dependent on the charge.
Parallel operation is possible for the EU10i, EU22i, EU30is, EU70is with an optional parallel cable.
The EU30is has 4 wheels and a handle.
The EU70is has a folding handle and 2 wheels.

Honda frame generating sets with air-cooled gasoline engine, 50Hz, 4 stroke

Article code	TYPE	Price in EURO (ex. VAT)	kVA max.	kVA cont.	Amp.		Engine HONDA (EU Stage)	HP max.	kW max.	cm ³	Tank (l)	Cons. @75% load (l/h)	Auto-nomy @75% load (h)	Version	Dimensions (cm)	kg	dB(A) @ 7m	LWA
					1 ~ 230V	12V DC												
999000618	EG3600	1314	3.6	3.2	13.9	-	GX270 (V)	7.9	5.8	270	24	2	12	A-AVR-F-FG-O-R	68x53x57	68	71	96
999000615	EG4500	1479	4.5	4	17	-	GX390 (V)	11.1	8.2	389	24	2.5	9.6	A-AVR-F-FG-O-R	68x53x57	80	72	97
999000616	EG5500	1644	5.5	5	22	-	GX390 (V)	11.1	8.2	389	24	2.5	9.6	A-AVR-F-FG-O-R	68x53x57	83	72	97
999000613	EM5500CXS	2810	5.5	5	22	-	IGX390 (V)	11.1	8.2	389	23.5	2.5	9.4	A8-AIS-AVR-E1-F-FG-O-R	88x53x55	97	72	97

Version A8 = 2 sockets 230V - 16A + 1 socket CEE 230V - 16A + 1 socket CEE 230V - 32A

OPTIONS FOR HONDA GENERATING SETS			Price in EURO (ex. VAT)
Nr.	Description		
NEW	HEP0	Automatic Start/Stop System in case of mains failure (up to 9kVA 230V) for EU30is and EU70is, supplied in TN-S earthing system, including earth leakage protection and thermal magnetic protection, with 3 meter cable	on request
	HEP1	Automatic Start/Stop System via external contact for EU30is, with 3 meter cable, with electric choke	810
	HEP1a	Automatic Start/Stop System via external contact for EU70is, with 3 meter cable	400
	HEP1b	Battery controller unit 12V (FLIP-FLOP), for EU30is and EU70is	605
	H2	Battery charge cable for EU10i, EU22i, EU30is, EM30	20
	H3	Hour counter (all models)	70
	HEP4	Insulation protection "IB-Protector" 230V	on request
	HEP4b	Insulation protection Bender IR423-D43-2 on EU30is	805
	H5	Parallel cable for EU10i	35
	H6	Parallel cable for EU22i	240
	H7a	Parallel cable for EU30is	258
	H7b	Parallel cable for EU70is	1191
	H8	Remote start 10m for EM5500CXS	284
	H9	Remote start 30m for EM5500CXS	341
	H10	Remote start 10m for EU70is	405
H11	Remote start 30m for EU70is	518	
HEP12	Remote start wireless for EU70is	385	
H14	2-wheel kit for EG3600/EG4500/EG5500/EM5500	179	
H15	4-wheel kit for EG3600/EG4500/EG5500/EM5500	297	

Honda water pumps with air-cooled gasoline engine, 4 stroke

Article code	TYPE	Price in EURO (ex. VAT)	Max (l/min)	Inlet/ outlet diameter (inch)	Pressure (bar)	Total head (m)	Max. particle size (mm)	Suction head (m)	Engine HONDA (EU Stage)	HP max.	kW max.	cm³	Tank (l)	Cons. @ 75% load (l/h)	Auto-nomy @ 75% load (h)	Version	Dimensions (cm)	kg	LWA
926900025	WX10	413	140	1	3.6	36	5.7	8	GX25 (V)	1	0.7	25	0.47	0.36	1.3	Clean water pump	33x22x30	6.5	102
926900026	WX15	504	240	1.5	4	40	5.7	8	GXH50 (V)	2.2	1.6	49	1	0.67	1.5	Clean water pump	33x28x38	9	103
926900027	WB20XT	586	600	2	3.2	32	6	8	GX120 (V)	3.1	2.3	118	1.9	1	2	Clean water pump	46x37x42	21	101
926900029	WB30XT	719	1100	3	2.8	23	6	8	GX160 (V)	4.4	3.2	163	3.1	1.4	2.5	Clean water pump	51x39x46	27	106
926900028	WH20X	909	500	2	5	50	3	8	GX160 (V)	4.4	3.2	163	3.1	1.4	2.5	High pressure pump	52x40x45	27	106
926900030	WT20X	1405	710	2	3	30	24	8	GX160 (V)	4.4	3.2	163	3.1	1.4	2.5	Trash water pump	62x46x47	47	106
926900031	WT30X	1801	1210	3	2.7	27	28	8	GX240 (V)	7.5	5.5	242	5.3	2.5	2.1	Trash water pump	66x50x52	60	110
926900032	WT40X	2562	1640	4	2.6	26	31	8	GX340 (V)	10.5	7.7	337	6.1	3	2	Trash water pump	74x54x57	78	110
926900033	WMP20X	958	833	2	3.2	32	5	8	GX160 (V)	4.4	3.2	163	3.1	1.4	2.2	Muti-purpose pump salt water/chemicals	52x40x45	26	96

Version Engine speed WX10 and WX15 = 7000rpm, other types 3600rpm
 All engines have an oil guard except for the GX25 (WX10)

Europower **standard** generating sets with **air-cooled gasoline** engines, 3000rpm, 50Hz, 4 stroke**2,2 - 23kVA**

Article code	TYPE	Price in EURO (ex. VAT)	kVA max.	kVA cont.	Amp.		Engine (EU Stage)	HP max.	kW max.	cm ³	Tank (l)	Cons. @ 75% load (l/h)	Autonomy @ 75% load (h)	Version	Dimensions (cm)	kg	dB(A) @ 7m	LWA
		Alternator			1 - 230V	3 - 400V												
950000260	EP2500	595 (S)	2.2	2	8.7	-	Honda GX160 (V)	4.4	3.2	163	3.1	1	3.1	A-F-O-R-Th	58x42x44	37	70	95
950000261	EP2500E	1125 (S)	2.2	2	8.7	-	Honda GX160 (V)	4.4	3.2	163	3.1	1	3.1	A-E-F-O-R-Th	58x42x44	45	70	95
990000300	EP3300	675 (MA)	3	2.7	11.7	-	Honda GX200 (V)	5.2	3.8	196	3.1	1.3	2.4	A-F-O-R-Th	58x42x44	42	70	95
950000400	EP4100	965 (S)	4	3.6	16	-	Honda GX270 (V)	7.9	5.8	270	5.3	2	2.7	A-F-O-R-Th	77x51x56	60	71	96
950000401	EP4100E	1420 (S)	4	3.6	16	-	Honda GX270 (V)	7.9	5.8	270	5.3	2	2.7	A-E-F-O-R-Th	77x51x56	72	71	96
950000502	EP5000T	1230 (S)	5	4.5	16	6.5	Honda GX270 (V)	7.9	5.8	270	5.3	2	2.7	B-F-O-R-Th	83x51x56	72	71	96
950000600	EP6000	1295 (S)	6	5.4	23	-	Honda GX390 (V)	11.1	8.2	389	6.1	2.4	2.5	A-F-O-R-Th	83x51x56	75	72	97
950000601	EP6000E	1665 (S)	6	5.4	23	-	Honda GX390 (V)	11.1	8.2	389	6.1	2.4	2.5	A-E-F-O-R-Th	83x51x56	87	72	97
950000652	EP6500T	1470 (S)	7	6.5	17	9.4	Honda GX390 (V)	11.1	8.2	389	6.1	2.4	2.5	B-F-O-R-Th	83x51x56	82	72	97
950000653	EP6500TE	1840 (S)	7	6.5	17	9.4	Honda GX390 (V)	11.1	8.2	389	6.1	2.4	2.5	B-E-F-O-R-Th	83x51x56	94	72	97
950000700	EP7000	1370 (S)	7	6	26	-	Honda GX390 (V)	11.1	8.2	389	6.1	2.7	2.3	A7-F-O-R-Th	83x51x56	85	76	*
990001001	EP10000E	2880 (MA)	10	9	39	-	Honda GX630 (V)	19	14	688	20	4.2	4.8	A2-E-F-FPm-h-O-TM	102x55x60	146	75	*
957001002	EP10000T	2540 (S)	10	9	14.3	13	B&S Vanguard 305442 (V)	14	10.5	480	6.5	3.5	1.9	B-F-FPm-OP-R-TM	83x55x60	95	75	*
950001201	EP12000E	3290 (S)	12	10.8	47	-	Honda GX690 (V)	20	15	688	20	5	4	A2-AIS-E-F-FPm-h-O-TM	102x55x60	150	75	*
950001203	EP13500TE	2955 (S)	13.5	12	20	17	Honda GX630 (V)	19	14	688	20	4.2	4.8	B-E-F-FPm-h-O-TM	102x55x60	149	75	*
950001401	EP14000E	3895 (S)	13.5	12	52	-	Honda iGX800 (V)	22	16	779	20	5.6	3.6	A2-AIS-E-Erpm-F-FPm-h-O-TM-TP	102x55x60	162	76	*
957001501	EP16000E	5780 (S)	16	14.5	63	-	B&S Vanguard 543477 (V)	28	21	895	41	7	5.9	A5-E1-F-FG-FPm-h-LE-OP-TM-V	100x64x72	213	79	*
950001503	EP16000TE	3395 (S)	16	14.4	23	21	Honda GX690 (V)	20	15	688	20	5	4	B-AIS-E-F-FPm-h-O-TM	102x55x60	154	75	*
950001803	EP18000TE	4000 (S)	17.5	16	23	23	Honda iGX800 (V)	22	16	779	20	5.6	3.6	B19-AIS-E-Erpm-F-FPm-h-O-TM-TP	102x55x60	165	76	*
957001801	EP18000E	6775 (S)	18	16.2	70	-	B&S Vanguard 613477 (V)	30	22	993	41	7.7	5.3	A5-E1-F-FG-FPm-h-LE-OP-TM-V	100x64x72	218	80	*
957002001	EP20000E	8155 (S)	20	18	78	-	B&S Vanguard EFI 37HP (V)	31	23	993	32	7.8	4.1	A5-AVR-DSE-E1-F-FLM-FP-h-Hz-LE-LFLS-OP-TM-V	100x64x72	220	80	*
957001803	EP20000TE	5675 (S)	20	18	26	26	B&S Vanguard 543477 (V)	28	21	895	41	7	5.9	B4-E1-F-FG-FPm-h-LE-OP-TM-V	100x64x72	213	79	*
957002203	EP22000TE	6795 (S)	22	20	29	29	B&S Vanguard 613477 (V)	30	22	993	41	7.7	5.3	B4-E1-F-FG-FPm-h-LE-OP-TM-V	100x64x72	218	80	*
957002503	EP25000TE	8215 (So)	23	21	32	30	B&S Vanguard EFI 37HP (V)	31	23	993	32	7.8	4.1	B4-AVR-DSE-E1-F-FLM-FP-h-Hz-LE-LFLS-OP-TM-V	100x64x72	217	80	*

Generators with * cannot be used outdoors in the EU. For applications of generating sets indoors, or if you want to integrate these generators in vehicles, please contact us.

Europower standard, EN1 and EN2 generating sets with Honda air-cooled gasoline engine, 3000rpm, 50Hz, 4 stroke

2,2 - 7 kVA

Article code	TYPE	Price in EURO (ex. VAT)	kVA max.	kVA cont.	Amp.		Engine HONDA (EU Stage)	HP max.	kW max.	cm ³	Tank (l)	Cons. @ 75% load (l/h)	Auto- nomy @ 75% load (h)	Version	Dimensions (cm)	kg	dB(A) @ 7m	LWA
		Alternator			1 ~ 230V	3 ~ 400V												
950000260	EP2500	595 (S)	2.2	2	8.7	-	GX160 (V)	4.4	3.2	163	3.1	1	3.1	A-F-O-R-Th	58x42x44	37	70	95
SA0950260	EP2500-EN1	540 (S)	2.2	2	8.7	-	GX160 (V)	4.4	3.2	163	3.1	1	3.1	A-F-O-R-Th	58x42x44	39	73	*
990000300	EP3300	675 (MA)	3	2.7	11.7	-	GX200 (V)	5.2	3.8	196	3.1	1.3	2.4	A-F-O-R-Th	58x42x44	42	70	95
SA0990300	EP3300-EN1	645 (MA)	3	2.7	11.7	-	GX200 (V)	5.2	3.8	196	3.1	1.3	2.4	A-F-O-R-Th	58x42x44	42	73	*
950000400	EP4100	965 (S)	4	3.6	16	-	GX270 (V)	7.9	5.8	270	5.3	2	2.7	A-F-O-R-Th	77x51x56	60	71	96
SA0950398	EP4100-EN1	900 (S)	4	3.6	16	-	GX270 (V)	7.9	5.8	270	5.3	2	2.7	A-F-O-R-Th	77x51x56	60	74	*
950000502	EP5000T	1230 (S)	5	4.5	16	6.5	GX270 (V)	7.9	5.8	270	5.3	2	2.7	B-F-O-R-Th	83x51x56	72	71	96
SA0950492	EP5000T-EN1	1180 (S)	5	4.5	16	6.5	GX270 (V)	7.9	5.8	270	5.3	2	2.7	B-F-O-R-Th	83x51x56	72	74	*
950000600	EP6000	1295 (S)	6	5.4	23	-	GX390 (V)	11.1	8.2	389	6.1	2.4	2.5	A-F-O-R-Th	83x51x56	75	72	97
SA0950590	EP6000-EN1	1165 (S)	6	5.4	23	-	GX390 (V)	11.1	8.2	389	6.1	2.4	2.5	A-F-O-R-Th	83x51x56	75	75	*
950000601	EP6000E	1665 (S)	6	5.4	23	-	GX390 (V)	11.1	8.2	389	6.1	2.4	2.5	A-E-F-O-R-Th	83x51x56	87	72	97
SA0950601	EP6000E-EN2	1455 (S)	6	5.4	23	-	GX390 (NE)	11.1	8.2	389	6.1	2.4	2.5	A-E-F-O-R-Th	83x51x56	88	75	**
950000652	EP6500T	1470 (S)	7	6.5	17	9.4	GX390 (V)	11.1	8.2	389	6.1	2.4	2.5	B-F-O-R-Th	83x51x56	82	72	97
SA0950642	EP6500T-EN1	1340 (S)	7	6.5	17	9.4	GX390 (V)	11.1	8.2	389	6.1	2.4	2.5	B-F-O-R-Th	83x51x56	80	75	*
950000653	EP6500TE	1840 (S)	7	6.5	17	9.4	GX390 (V)	11.1	8.2	389	6.1	2.4	2.5	B-E-F-O-R-Th	83x51x56	94	72	97
SA0950653	EP6500TE-EN2	1630 (S)	7	6.5	17	9.4	GX390 (NE)	11.1	8.2	389	6.1	2.4	2.5	B-E-F-O-R-Th	83x51x56	90	75	**

LWA All generators with LWA value are compliant with all CE-regulations (machine directive, EMC directive, low tension directive, CE-noise level directive 2000/14/EC, European exhaust gas regulation Stage 5). They can be used outdoors in the E.U.

* = Generators compliant with all CE-regulations, except the CE-noise level directive 2000/14/EC.

Generators cannot be used outdoors in the E.U.
For applications of generating sets indoors, or if you want to integrate these generating sets in vehicles, please contact us.

** = Generators not compliant with CE-noise level directive 2000/14/EC and not compliant with European exhaust gas regulation Stage 5.

Europower **semi-silenced long run** generating sets with Honda **air-cooled gasoline** engines, 3000rpm, 50Hz, 4 stroke**3 - 15kVA**

Article code	TYPE	Price in EURO (ex. VAT)	kVA max.	kVA cont.	Amp.		Engine HONDA (EU Stage)	HP max.	kW max.	cm ³	Tank (l)	Cons. @ 75% load (l/h)	Auto- nomy @ 75% load (h)	Version	Dimensions (cm)	kg	dB(A) @ 7m	LWA
		Alternator			1 ~ 230V	3 ~ 400V												
990000305	EP3300-11	905 (MA)	3	2.7	11.7	-	GX200 (V)	5.2	3.8	196	11	1.3	8.5	A-F-FG-O-R-Th	58x42x50	50	66	91
990000306	EP3300-11-AVR	May 2021 (MA)	3	2.7	11.7	-	GX200 (V)	5.2	3.8	196	11	1.3	8.5	A-AVR-F-FG-O-R-Th	58x42x50	50	66	91
950000404	EP4100LN	1210 (S)	4	3.6	16	-	GX270 (V)	7.9	5.8	270	25	2	12.5	A-AC-F-FG-O-R-Th	75x60x59	78	70	95
950000408	EP4100-25	1430 (S)	4	3.6	16	-	GX270 (V)	7.9	5.8	270	25	2	12.5	A-AC-F-FG-h-O-R-TM-V	75x60x59	79	70	95
950000604	EP6000LN	1540 (S)	6	5.4	23	-	GX390 (V)	11.1	8.2	389	25	2.4	10.4	A-AC-F-FG-O-R-Th	75x60x59	91	71	96
950000605	EP6000-25	1715 (S)	6	5.4	23	-	GX390 (V)	11.1	8.2	389	25	2.4	10.4	A-AC-F-FG-h-O-R-TM-V	75x60x59	92	71	96
950000609	EP6000E-25	2005 (S)	6	5.4	23	-	GX390 (V)	11.1	8.2	389	25	2.4	10.4	A-AC-E-F-FG-h-O-R-TM-V	75x60x59	97	71	96
950000654	EP6500TLN	1745 (S)	7	6.5	17	9.4	GX390 (V)	11.1	8.2	389	25	2.4	10.4	B-AC-F-FG-O-R-Th	80x58x63	96	71	96
950000658	EP6500T-25	1955 (S)	7	6.5	17	9.4	GX390 (V)	11.1	8.2	389	25	2.4	10.4	B-AC-F-FG-h-O-R-TM-V	80x58x63	97	71	96
950000659	EP6500TE-25	2260 (S)	7	6.5	17	9.4	GX390 (V)	11.1	8.2	389	25	2.4	10.4	B-AC-E-F-FG-h-O-R-TM-V	80x58x63	104	71	96
950001007	EPG10000E	4115 (S)	10	8	35	-	GX630 (V)	19	14	688	20	4.2	4.8	A2-E-F-FPm-h-O-TM	88x64x70	180	72	97
950001207	EPG12000E	4630 (S)	12	10	43	-	GX690 (V)	20	15	688	20	5	4	A2-E-F-FPm-h-O-TM	88x64x70	184	71	96
950001208	EPG12000TE	4200 (S)	12	10	16	14.4	GX630 (V)	19	14	688	20	4.2	4.8	B-E-F-FPm-h-O-TM	88x64x70	183	72	97
950001508	EPG15000TE	4730 (S)	15	12.5	16	18	GX690 (V)	20	15	688	20	5	4	B-E-F-FPm-h-O-TM	88x64x70	188	71	96

Europower standard generating sets with air-cooled diesel engines, 3000rpm, 50Hz, 4 stroke

2,6 - 10kVA

Article code	TYPE	Price in EURO (ex. VAT)	kVA max.	kVA cont.	Amp.		Engine (EU Stage)	HP max.	kW max.	cm ³	Tank (l)	Cons. @ 75% load (l/h)	Autonomy @ 75% load (h)	Version	Dimensions (cm)	kg	dB(A) @ 7m	LWA
		Alternator			1 ~ 230V	3 ~ 400V												
993010280	EP2800D	1540 (MA)	2.6	2.3	10	-	Yanmar L48N (NE)	4.2	3.1	219	2.4	0.7	3.4	A-F-FG-R-Th	77x51x56	54	78	*
993010281	EP2800DE	1995 (MA)	2.6	2.3	10	-	Yanmar L48N (NE)	4.2	3.1	219	2.4	0.7	3.4	A-E-F-FG-OL-R-Th	77x51x56	68	78	*
995010300	EP3000D	1925 (MA)	2.8	2.5	10.9	-	Hatz 1B20-4 (V)	4.2	3.1	232	3.2	0.7	4.6	A-F-R-Th	67x51x56	58	78	*
995010301	EP3000DE	2535 (MA)	2.8	2.5	10.9	-	Hatz 1B20-4 (V)	4.2	3.1	232	3.2	0.7	4.6	A-E-F-OL-R-Th	67x51x56	72	78	*
953010400	EP4000D	1730 (S)	3.6	3.3	14.3	-	Yanmar L70V (V)	6	4.4	320	3.3	1.3	2.5	A-F-FG-R-Th	77x51x56	70	77	*
953010401	EP4000DE	2105 (S)	3.6	3.3	14.3	-	Yanmar L70V (V)	6	4.4	320	3.3	1.3	2.5	A-E-F-FG-OL-R-Th	77x51x56	82	77	*
955010350	EP4200D	2250 (S)	4.2	3.7	16	-	Hatz 1B30-4 (V)	6.8	5	347	4.6	1.3	3.5	A-F-R-Th	77x51x56	74	80	*
955010371	EP4200DE	3045 (S)	4.2	3.7	16	-	Hatz 1B30-4 (V)	6.8	5	347	4.6	1.3	3.5	A-E-F-OP-R-Th	77x51x56	82	80	*
955010502	EP5000TD	2460 (S)	5	4.5	16	6.5	Hatz 1B30-4 (V)	6.8	5	347	4.6	1.3	3.5	B-F-R-Th	83x51x56	82	80	*
955010453	EP5000TDE	3260 (S)	5	4.5	16	6.5	Hatz 1B30-4 (V)	6.8	5	347	4.6	1.3	3.5	B-E-F-OP-R-Th	83x51x56	94	80	*
953010600	EP6000D	2115 (S)	5.2	4.7	20	-	Yanmar L100V (V)	8.8	6.5	435	5.4	1.8	3	A-F-FG-R-Th	83x51x56	95	80	*
953010601	EP6000DE	2520 (S)	5.2	4.7	20	-	Yanmar L100V (V)	8.6	6.3	435	5.4	1.8	3	A-E-F-FG-OL-R-Th	83x51x56	110	80	*
955010600	EP6000D	2770 (S)	6	5.4	23	-	Hatz 1B40U-4 (V)	9.7	7.1	462	5	1.9	2.6	A-F-R-Th	83x51x56	95	83	*
955010541	EP6000DE	3570 (S)	6	5.4	23	-	Hatz 1B40U-4 (V)	9.7	7.1	462	5	1.9	2.6	A-E-F-OP-R-Th	83x51x56	110	83	*
953010602	EP6000TD	2270 (S)	6	5.5	17	7.9	Yanmar L100V (V)	8.8	6.5	435	5.4	1.8	3	B-F-FG-R-Th	83x51x56	97	80	*
953010603	EP6000TDE	2685 (S)	6	5.5	17	7.9	Yanmar L100V (V)	8.6	6.3	435	5.4	1.8	3	B-E-F-FG-OL-R-Th	83x51x56	110	80	*
955010702	EP7000TD	2940 (S)	7	6.5	17	9.4	Hatz 1B40U-4 (V)	9.7	7.1	462	5	1.9	2.6	B-F-R-Th	83x51x56	95	83	*
955010653	EP7000TDE	3740 (S)	7	6.5	17	9.4	Hatz 1B40U-4 (V)	9.7	7.1	462	5	1.9	2.6	B-E-F-OP-R-Th	83x51x56	110	83	*
995010911	EPSP9000DE	7335 (MA)	8.5	7.7	33	-	Hatz 1D81C (V)	13	9.6	667	25	3	8.3	A7-E1-F-FPm-h-MS-OP-TM-TP-V	100x64x70	245	74	*
955011013	EPSP10000TDE	7330 (S)	10	9	13	13	Hatz 1D81C (V)	13	9.6	667	25	3	8.3	B-E1-F-FPm-h-MS-OP-TM-TP-V	100x64x70	245	74	*

Generators with * cannot be used outdoors in the EU. For applications of generating sets indoors, or if you want to integrate these generators in vehicles, please contact us.

Europower **super-silenced** generating sets with **air-cooled** engines, 3000rpm, 50Hz, 4 stroke**2,5 - 15kVA**

Article code	TYPE	Price in EURO (ex. VAT)	kVA max.	kVA cont.	Amp.		Engine (EU Stage)	HP max.	kW max.	cm³	Tank (l)	Cons. @ 75% load (l/h)	Auto- nomy @ 75% load (h)	Version	Dimensions (cm)	Dimensions without tank (cm)	kg	dB(A) @ 7m	LWA	
		Alternator			1 ~ 230V	3 ~ 400V														
950000611	EPS6000E	3990 (S)	6	5.4	23	-	Honda GX390 (V)	11.1	8.2	389	20	2.4	8.3	A3-E-EC-FPm-h-O-TM-TP-V	110x56x56	92x56x56	150	62	87	Gasoline
950000663	EPS6500TE	4095 (S)	7	6.5	17	9.4	Honda GX390 (V)	11.1	8.2	389	20	2.4	8.3	B3-E-EC-FPm-h-O-TM-TP-V	110x56x56	92x56x56	150	62	87	
990001011	EPS10000E	4630 (MA)	10	8	35	-	Honda GX630 (V)	19	14	688	20	4.2	4.8	A3-E-EC-FPm-h-O-TM-TP-V	127x64x57	109x64x57	200	66	91	
950001211	EPS12000E	5650 (S)	12	10	43	-	Honda GX690 (V)	20	15	688	20	5	4	A4-E-EC-FPm-h-O-TM-TP-V	127x75x59	109x75x59	220	69	94	
990001213	EPS12000TE	4890 (MA)	12	10	16	14.4	Honda GX630 (V)	19	14	688	20	4.2	4.8	B3-E-EC-FPm-h-O-TM-TP-V	127x64x57	109x64x57	204	66	91	
950001513	EPS15000TE	5760 (S)	15	12.5	23	18	Honda GX690 (V)	20	15	688	20	5	4	B6-E-EC-FPm-h-O-TM-TP-V	127x75x59	109x75x59	224	69	94	
995010261	EPS2500DE	4930 (MA)	2.5	2.2	9.6	-	Hatz 1B20-4 (V)	4.2	3.1	232	10	0.7	14.3	A0-E-FP-h-MS-OP-TM-TP-V	94x52x45	81x52x45	125	62	87	Diesel
951010361	EPS3500DE	4985 (S)	3	2.7	11.7	-	Kubota OC60 (NE)	5.4	4	276	20	1.2	16.7	A1-E-FP-h-MS-OP-TM-TP-V	110x56x56	92x56x56	155	65	90	
953010511	EPS5500DE	5035 (S)	5	4.5	20	-	Yanmar L100V (V)	8.6	6.3	435	20	1.9	10.5	A3-E-ES-FP-h-MS-OP-TM-TP-V	127x64x62	109x64x62	200	66	91	
955010611	EPS6000DE	5685 (S)	5.5	5	22	-	Hatz 1B40U-4 (V)	9.7	7.1	462	20	1.9	10.5	A3-E-ES-FP-h-MS-OP-TM-TP-V	127x64x62	109x64x62	200	66	91	
953010613	EPS6000TDE	5175 (S)	5.5	5	17	7.2	Yanmar L100V (V)	8.8	6.5	435	20	1.9	10.5	B3-E-ES-FP-h-MS-OP-TM-TP-V	127x64x62	109x64x62	200	66	91	
955010713	EPS7000TDE	5875 (S)	7	6.5	17	9.4	Hatz 1B40U-4 (V)	9.7	7.1	462	20	1.9	10.5	B3-E-ES-FP-h-MS-OP-TM-TP-V	127x64x62	109x64x62	200	66	91	

Europower open generating sets with Kubota water-cooled diesel engines, 3000 or 1500rpm, 50Hz, 4 stroke

6 - 44kVA

Article code	TYPE	Price in EURO (ex. VAT)	kVA max.	kVA cont.	Amp.		Engine KUBOTA (EU Stage)	Cil.	kW max.	cm ³	Tank (l)	Cons. @ 75% load (l/h)	Autonomy @ 75% load (h)	Version	Dimensions (cm)	kg	dB(A) @ 7m	LWA
		Alternator			1 ~ 230V	3 ~ 400V												
951010601	EP73DE	5590 (S)	6	5.4	23	-	Z482 (V)	2	8.3	479	47	1.8	26.1	A2-E1-ES-FG-FI4-FP-h-MS-ODP-OP-TM-TP-V	105x64x78	190	78	*
951010653	EP83TDE	5685 (S)	8	7	14.3	10.1	Z482 (V)	2	8.3	479	47	1.8	26.1	B-E1-ES-FG-FI4-FP-h-MS-ODP-OP-TM-TP-V	105x64x78	190	78	*
991010801	EP103DE	6365 (MA)	9.5	8.5	37	-	D722 (V)	3	12	719	50	2.5	20	A2-E1-ES-FG-FI4-FP-h-MS-ODP-OP-TM-TP-V	115x64x78	260	80	*
951011003	EP113TDE	6295 (S)	11	10	14.3	14.4	D722 (V)	3	12	719	50	2.5	20	B7-E1-ES-FG-FI4-FP-h-MS-ODP-OP-TM-TP-V	115x64x78	260	80	*
951011201	EP123DE	6885 (S)	12	11	48	-	D902 (V)	3	15	898	50	3.3	15.2	A2-E1-ES-FG-FI4-FP-h-MS-ODP-OP-TM-TP-V	115x64x78	265	81	*
951011303	EP133TDE	7085 (S)	13.5	12	20	17	D902 (V)	3	15	898	50	3.3	15.2	B7-E1-ES-FG-FI4-FP-h-MS-ODP-OP-TM-TP-V	115x64x78	265	81	*
951011601	EP163DE	7400 (S)	14.5	13.2	57	-	D1105 (V)	3	19	1123	55	3.9	14.1	A5-E1-ES-FG-FI4-FP-h-MS-ODP-OP-TM-TP-V	130x64x89	330	81	*
991011803	EP183TDE	7595 (MA)	18	17	27	25	D1105 (V)	3	19	1123	55	3.9	14.1	B4-AVR-E1-ES-FG-FI4-FP-h-MS-ODP-OP-T+TM-TP-V	130x64x89	320	81	*
951011901	EP193DE	8785 (S)	17.8	16.2	70	-	V1505 (IIIA)	4	27	1498	65	5	13	A5-E1-ES-FG-FI4-FP-h-MS-ODP-OP-TM-TP-V	150x74x89	370	83	*
991012403	EP243TDE	9020 (MA)	24	23	35	33	V1505 (IIIA)	4	27	1498	65	5	13	B4-AVR-E1-ES-FG-FI4-FP-h-MS-ODP-OP-T+TM-TP-V	150x74x89	360	83	*
951110903	EP8DE	7020 (S)	7.5	7	30	-	D1105 (V)	3	10.3	1123	55	1.9	28.9	A7-AVR-ES-FG-FI4-ODP-Y	130x64x89	305	70	95
991110903	EP9TDE	7520 (MA)	9	8.5	12.2	12.3	D1105 (V)	3	10.3	1123	55	1.9	28.9	B7-AVR-ES-FG-FI4-ODP-T+Y	130x64x89	320	70	95
951111101	EP11DE	8870 (S)	11	10	43	-	D1703M (V)	3	15	1647	65	2.6	25	A5-AVR-Erpm-ES-FG-FI4-ODP-OL-Y	150x74x89	395	73	*
981111403	EP14TDE	9240 (LS)	14	13	19	19	D1703M (V)	3	15	1647	65	2.6	25	B6-AVR-Erpm-ES-FG-FI4-LS2-ODP-OL-Y	150x74x89	410	73	*
991111403	EP14TDE	9105 (MA)	14	13	19	19	D1703M (V)	3	15	1647	65	2.6	25	B6-AVR-Erpm-ES-FG-FI4-ODP-OL-T+Y	150x74x89	410	73	*
951111801	EP18DE	10560 (S)	18	16	70	-	V2203M (V)	4	20	2197	68	3.7	18.4	A5-AVR-Erpm-ES-FG-FI4-ODP-OL-Y	160x74x91	470	75	*
981112003	EP20TDE	10400 (LS)	19	18	29	26	V2203M (V)	4	20	2197	68	3.7	18.4	B4-AVR-Erpm-ES-FG-FI4-LS2-ODP-OL-Y	160x74x91	465	75	*
991112003	EP20TDE	10750 (MA)	19	18	29	26	V2203M (V)	4	20	2197	68	3.7	18.4	B4-AVR-Erpm-ES-FG-FI4-ODP-OL-T+Y	160x74x91	465	75	*
991113001	EP30DE	16015 (MA)	30	28	122	-	V3800DIT (TE IIIA)	4	42	3769	76	7.7	9.9	A5-Amp1-AVR-DSE-Erpm-ES-FG-FI4-Hz-ODP-OL-PAI-T+WS-Y	160x96x105	695	79	*
981113403	EP34TDE	13380 (LS)	33	30	43	43	V3300 (TE IIIA)	4	28	3318	76	6.1	12.5	B12-Amp3-AREP-AVR-DSE-ES-FG-FI4-Hz-LS2-ODP-OL-WS-Y	160x96x105	623	77	*
991113403	EP34TDE	13195 (MA)	33	30	43	43	V3300 (TE IIIA)	4	28	3318	76	6.1	12.5	B12-Amp3-AVR-DSE-ES-FG-FI4-Hz-ODP-OL-T+WS-Y	160x96x105	652	77	*
981114403	EP44TDE	16070 (LS)	44	40	58	58	V3800DIT (TE IIIA)	4	42	3769	76	7.7	9.9	B12-Amp3-AREP-AVR-DSE-Erpm-ES-FG-FI4-Hz-LS2-ODP-OL-PAI-WS-Y	160x96x105	640	79	*
991114403	EP44TDE	16095 (MA)	44	40	58	58	V3800DIT (TE IIIA)	4	42	3769	76	7.7	9.9	B12-Amp3-AVR-DSE-Erpm-ES-FG-FI4-Hz-ODP-OL-PAI-T+WS-Y	160x96x105	725	79	*

Generators with * cannot be used outdoors in the EU. For applications of generating sets indoors, or if you want to integrate these generators in vehicles, please contact us.

Europower **super-silenced** generating sets with **Kubota water-cooled diesel** engines, 3000rpm, 50Hz, 4 stroke**6 - 33kVA**

Article code	TYPE	Price in EURO (ex. VAT)	kVA max.	kVA cont.	Amp.		Alternator (IP23)	Engine KUBOTA (EU Stage)	Cil.	kW max.	cm ³	Tank (l)	Cons. @ 75% load (l/h)	Auto- nomy @ 75% load (h)	Version	Dimensions (cm)	kg	dB(A) @ 7m	LWA
		Alternator			1 – 230V	3 – 400V													
951010712	New Boy EPS73DE	6585 (S)	6	5.4	23	-	EK2LCT	Z482 (V)	2	8.3	479	23	1.8	12.8	A3-E1-ES-FG-F14-FP-h-LE-MS-ODP-OP-TM-TP-V	123x64x68	295	65	90
951010814	New Boy EPS83TDE	6685 (S)	8	7	14.3	10.1	ET2LBS	Z482 (V)	2	8.3	479	23	1.8	12.8	B3-E1-ES-FG-F14-FP-h-LE-MS-ODP-OP-TM-TP-V	123x64x68	295	65	90
991011012	New Boy EPS103DE	6995 (MA)	9.5	8.5	37	-	S20F-200/2A	D722 (V)	3	12	719	25	2.5	10	A3-E1-ES-FG-F14-FP-h-LE-MS-ODP-OP-TM-TP-V	138x64x68	345	67	92
951011114	New Boy EPS113TDE	6990 (S)	11	10	14.3	14.4	ET2LBS	D722 (V)	3	12	719	25	2.5	10	B3-E1-ES-FG-F14-FP-h-LE-MS-ODP-OP-TM-TP-V	138x64x68	345	67	92
951011312	New Boy EPS123DE	7515 (S)	12	11	48	-	FK2MFS	D902 (V)	3	15	898	25	3.3	7.6	A3-E1-ES-FG-F14-FP-h-LE-MS-ODP-OP-TM-TP-V	138x64x68	360	71	96
951011414	New Boy EPS133TDE	7495 (S)	13.5	12	20	17	FT2MES	D902 (V)	3	15	898	25	3.3	7.6	B3-E1-ES-FG-F14-FP-h-LE-MS-ODP-OP-TM-TP-V	138x64x68	360	71	96
951011612	EPS163DE	8755 (S)	14.5	13.2	57	-	GK2MBL	D1105 (V)	3	19	1123	63	3.9	16.2	A6-E1-ES-FG-F14-FP-h-LE-MS-ODP-OP-TM-TP-V	150x64x90	444	71	96
991011814	EPS183TDE	8845 (MA)	18	17	27	25	ECP3-2L/2	D1105 (V)	3	19	1123	63	3.9	16.2	B5-AVR-E1-ES-FG-F14-FP-h-LE-MS-ODP-OP-TM-TP-V	150x64x90	450	71	96
951011911	EPS193DE	10455 (S)	17.8	16.2	70	-	GK2MBL	V1505 (IIIA)	4	27	1498	73	5	14.6	A6-E1-ES-FG-F14-FP-h-LE-MS-ODP-OP-TM-TP-V	170x74x100	545	71	96
991012413	EPS243TDE	10530 (MA)	24	23	35	33	ECP28-2L/2	V1505 (IIIA)	4	27	1498	73	5	14.6	B5-AVR-E1-ES-FG-F14-FP-h-LE-MS-ODP-OP-TM-TP-V	170x74x100	572	71	96
991013313	EPS333TDE	13085 (MA)	33	29	42	42	ECP28-3L/2	V1505T (IIIA)	4	30	1498	73	6.5	11.2	B14-Amp3-AVR-DSE-E1-ES-FG-F14-FP-h-LE-MS-ODP-OP-TM-TP-V	170x74x118	710	71	96

Europower **super-silenced** generating sets with **Kubota water-cooled diesel** engines, 1500rpm, 50Hz, 4 stroke

2.5 - 44kVA

Article code	TYPE	Price in EURO (ex. VAT)	kVA max.	kVA cont.	Amp.		Engine KUBOTA (EU Stage)	Cil.	kW max.	cm³	Tank (l)	Cons. @ 75% load (l/h)	Auto-nomy @ 75% load (h)	Version	Dimensions (cm)	kg	dB(A) @ 7m	LWA
		Alternator			1 ~ 230V	3 ~ 400V												
951110311	EPS3DE	8195 (S)	2.5	2.3	10	-	Z482 (V)	2	3.2	479	23	0.7	32.9	A1-Amp1-AVR-DSE-E1-Erpm-ES-FG-FI4-FP-h-LE-MS-ODP-OP-TM-TP-V	123x64x68	374	60	85
951110912	EPS8DE	8270 (S)	7.5	7	30	-	D1105 (V)	3	10.3	1123	63	1.9	33.2	A8-AVR-ES-FG-FI4-LE-ODP-Y	150x64x90	430	65	90
991110914	EPS9TDE	8735 (MA)	9	8.5	12.2	12.3	D1105 (V)	3	10.3	1123	63	1.9	33.2	B9-AVR-ES-FG-FI4-LE-ODP-T+Y	150x64x90	440	65	90
951111112	EPS11DE	10410 (S)	11	10	43	-	D1703M (V)	3	15	1647	73	2.6	28.1	A6-AVR-Erpm-ES-FG-FI4-LE-ODP-OL-Y	170x74x100	575	65	90
981111414	EPS14TDE	10725 (LS)	14	13	19	19	D1703M (V)	3	15	1647	73	2.6	28.1	B11-AVR-Erpm-ES-FG-FI4-LE-LS2-ODP-OL-Y	170x74x100	580	65	90
991111414	EPS14TDE	10565 (MA)	14	13	19	19	D1703M (V)	3	15	1647	73	2.6	28.1	B11-AVR-Erpm-ES-FG-FI4-LE-ODP-OL-T+Y	170x74x100	580	65	90
951111812	EPS18DE	12540 (S)	18	16	70	-	V2203M (V)	4	20	2197	80	3.7	21.6	A6-AVR-Erpm-ES-FG-FI4-LE-ODP-OL-Y	198x74x100	660	65	90
981112014	EPS20TDE	12145 (LS)	19	18	29	26	V2203M (V)	4	20	2197	80	3.7	21.6	B5-AVR-Erpm-ES-FG-FI4-LE-LS2-ODP-OL-Y	198x74x100	660	65	90
991112014	EPS20TDE	12330 (MA)	19	18	29	26	V2203M (V)	4	20	2197	80	3.7	21.6	B5-AVR-Erpm-ES-FG-FI4-LE-ODP-OL-T+Y	198x74x100	660	65	90
991113011	EPS30DE	18480 (MA)	30	28	122	-	V3800DIT (TE IIIA)	4	42	3769	90	7.7	11.7	A10-Amp1-AVR-DSE-Erpm-ES-FG-FIA-Hz-LE-ODP-OL-PAI-T+WS-Y	210x94x112	970	65	90
981113412	EPS34TDE	15765 (LS)	33	30	43	43	V3300 (TE IIIA)	4	28	3318	90	6	15	B14-Amp3-AREP-AVR-DSE-ES-FG-FI4-Hz-LE-LS2-ODP-OL-WS-Y	210x94x112	887	65	90
991113413	EPS34TDE	15675 (MA)	33	30	43	43	V3300 (TE IIIA)	4	28	3318	90	6	15	B14-Amp3-AVR-DSE-ES-FG-FI4-Hz-LE-ODP-OL-T+WS-Y	210x94x112	900	65	90
981114413	EPS44TDE	18350 (LS)	44	40	58	58	V3800DIT (TE IIIA)	4	42	3769	90	7.7	11.7	B14-Amp3-AREP-AVR-DSE-Erpm-ES-FG-FI4-Hz-LE-LS2-ODP-OL-PAI-WS-Y	210x94x112	928	65	90
991114413	EPS44TDE	18380 (MA)	44	40	58	58	V3800DIT (TE IIIA)	4	42	3769	90	7.7	11.7	B14-Amp3-AVR-DSE-Erpm-ES-FG-FI4-Hz-LE-ODP-OL-PAI-T+WS-Y	210x94x112	970	65	90

Europower **rental silenced** generating sets with **Kubota water-cooled diesel** engines, 3000rpm, 50Hz, 4 stroke

11kVA

Article code	TYPE	Price in EURO (ex. VAT)	kVA max.	kVA cont.	Amp.		Engine KUBOTA (EU Stage)	Cil.	kW max.	cm³	Tank (l)	Cons. @ 75% load (l/h)	Auto-nomy @ 75% load (h)	Version	Dimensions (cm)	kg	dB(A) @ 7m	LWA
		Alternator			1 ~ 230V	3 ~ 400V												
991011024	EPSR11-3TDE	12990 (MA)	10.5	9.5	14.3	13.7	D722 (V)	3	12	719	86	2.5	34.4	B3-Amp3-AVR-BFT-CLS-DH-DSE-ES-FH-FI4-FLM-GALV-Hz-LE-LFLS2-ODP-OL-PI-T+TE-VS-WS-Y	150x76x117	525	62	87

Europower **rental silenced** generating sets with **Kubota water-cooled diesel** engines, Stage IIIA, 1500rpm, 50Hz, 4 stroke

19 - 44kVA

Article code	TYPE	Price in EURO (ex. VAT)	kVA max.	kVA cont.	Amp.		Engine KUBOTA (EU Stage)	Cil.	kW max.	cm³	Tank (l)	Cons. @ 75% load (l/h)	Auto-nomy @ 75% load (h)	Version	Dimensions (cm)	kg	dB(A) @ 7m	LWA
		Alternator			1 ~ 230V	3 ~ 400V												
981112024	EPSR20TDE	16540 (LS)	19	18	29	26	V2203M (V)	4	20	2197	124	3.7	33.5	B5-Amp3-AVR-BFT-CLS-DH-DSE-Erpm-ES-FH-FI4-FLM-GALV-Hz-LE-LFLS2-LS2-ODP-OL-PI-TC-TE-VS-WS-Y	185x91x137	825	60	85
991112024	EPSR20TDE	16710 (MA)	19	18	29	26	V2203M (V)	4	20	2197	124	3.7	33.5	B5-Amp3-AVR-BFT-CLS-DH-DSE-Erpm-ES-FH-FI4-FLM-GALV-Hz-LE-LFLS2-ODP-OL-PI-T+TC-TE-VS-WS-Y	185x91x137	850	60	85
981113423	EPSR34TDE	19565 (LS)	33	30	43	43	V3300 (TE IIIA)	4	28	3318	263	6	43.8	B14-Amp3-AREP-AVR-BFT-CLS-DH-DSE-ES-FH-FI4-FLM-GALV-Hz-LE-LFLS2-LS2-ODP-OL-PI-TC-TE-VS-WS-Y	209x101x147	1160	65	90
991113423	EPSR34TDE	19475 (MA)	33	30	43	43	V3300 (TE IIIA)	4	28	3318	263	6	43.8	B14-Amp3-AVR-BFT-CLS-DH-DSE-ES-FH-FI4-FLM-GALV-Hz-LE-LFLS2-ODP-OL-PI-T+TC-TE-VS-WS-Y	209x101x147	1178	65	90
981114423	EPSR44TDE	22025 (LS)	44	40	58	58	V3800DIT (TE IIIA)	4	42	3769	263	7.7	34.2	B14-Amp3-AREP-AVR-BFT-CLS-DH-DSE-Erpm-ES-FH-FI4-FLM-GALV-Hz-LE-LFLS2-LS2-ODP-OL-PAI-PI-TC-TE-VS-WS-Y	209x101x147	1200	66	91
991114423	EPSR44TDE	22055 (MA)	44	40	58	58	V3800DIT (TE IIIA)	4	42	3769	263	7.7	34.2	B14-Amp3-AVR-BFT-CLS-DH-DSE-Erpm-ES-FH-FI4-FLM-GALV-Hz-LE-LFLS2-ODP-OL-PAI-PI-T+TC-TE-VS-WS-Y	209x101x147	1250	66	91

Europower **rental ultra-silenced** generating sets with **Kubota water-cooled diesel** engines, Stage IIIA, 1500rpm, 50Hz, 4 stroke

14 - 44kVA

Article code	TYPE	Price in EURO (ex. VAT)	kVA max.	kVA cont.	Amp.		Engine KUBOTA (EU Stage)	Cil.	kW max.	cm³	Tank (l)	Cons. @ 75% load (l/h)	Auto-nomy @ 75% load (h)	Version	Dimensions (cm)	kg	dB(A) @ 7m	LWA
		Alternator			1 ~ 230V	3 ~ 400V												
981111433	EPUS14TDE	19355 (LS)	14	13	19	19	D1703M (IIIA)	3	15	1647	263	2.6	101.2	B5-Amp3-AVR-BFT-CLS-DH-DSE-Erpm-ES-FH-FI4-FLM-GALV-Hz-LE-LFLS2-LS2-ODP-OL-PI-TC-TE-VS-WS-Y	209x101x147	970	54	79
981112034	EPUS20TDE	19870 (LS)	19	18	29	26	V2203M (V)	4	20	2197	263	3.7	71.1	B5-Amp3-AVR-BFT-CLS-DH-DSE-Erpm-ES-FH-FI4-FLM-GALV-Hz-LE-LFLS2-LS2-ODP-OL-PI-TC-TE-VS-WS-Y	209x101x147	1050	56	81
981114433	EPUS44TDE	28380 (LS)	44	40	58	58	V3800DIT (TE IIIA)	4	42	3769	524	7.7	68.1	B14-Amp3-AREP-AVR-BFT-CLS-DH-DSE-Erpm-ES-FH-FI4-FLM-GALV-Hz-LE-LFLS2-LS2-ODP-OL-PAI-PI-TC-TE-VS-WS-Y	285x110x206	1687	56	81

Europower **open** generating sets with **Iveco water-cooled diesel** engine, Stage IIIA, 1500rpm, 50Hz, 4 stroke

60kVA

Article code	TYPE	Price in EURO (ex. VAT)	kVA max. (50Hz)	kVA cont.	Amp.		Engine IVECO (EU Stage)	Cil.	Electronic speed governor	kW max.	cm³	Tank (l)	Cons. @75% load (l/h)	Auto-nomy @75% load (h)	Battery voltage (V)	Alternator	Version	Dimensions (cm)	kg	dB(A) @ 7m	LWA
		Alternator			1 ~ 230V	3 ~ 400V															
784106003	EP60TDE-3A	16805 (LS)	66	60	87	87	NEF N45SM1F (TE IIIA)	4	Option	60	4500	430	12.5	34.4	12	LSA42.3L9 AREP	Amp3-AREP-AVR-DSE-E1-ES-FFPM-FLM-h-Hz-LFSL2-LS2-M-MS-ODP-OP-TC-TE-TM-TP-V-WSFP	250x110x140	1015	84	*
794106003	EP60TDE-3A	16885 (MA)	66	60	87	87	NEF N45SM1F (TE IIIA)	4	Option	60	4500	430	12.5	34.4	12	ECP32-2M/4	Amp3-AVR-DSE-E1-ES-FFPM-FLM-h-Hz-LFSL2-M-MS-ODP-OP-T+-TC-TE-TM-TP-V-WSFP	250x110x140	1050	84	*

Europower **open** generating sets from 100 to 250kVA with **Volvo water-cooled diesel** engines, Stage IIIA, 1500rpm, 50Hz, 4 stroke

100 - 250kVA

Article code	TYPE	Price in EURO (ex. VAT)	kVA max. (50Hz)	kVA cont.	Amp.		Engine VOLVO (EU Stage)	Cil.	Electronic speed governor	kW max.	cm³	Tank (l)	Cons. @75% load (l/h)	Auto-nomy @75% load (h)	Battery voltage (V)	Alternator	Version	Dimensions (cm)	kg	dB(A) @ 7m	LWA
		Alternator			1 ~ 230V	3 ~ 400V															
781110003	EP100TDE-3A	25920 (LS)	110	100	143	144	TAD551GE (TE IIIA)	4	Standard	100	4760	430	21.2	20.3	24	LSA44.3S5 AREP	Amp3-AREP-AVR-CLS-DSE-E1-Erpm-ES-FFPM-FLM-FPm-h-Hz-LFSL2-LS2-M-MS-ODP-OP-TC-TE-TM-TP-V-WSFP	250x110x161	1322	86	*
791110003	EP100TDE-3A	25620 (MA)	110	100	152	144	TAD551GE (TE IIIA)	4	Standard	100	4760	430	21.2	20.3	24	ECP34-2S/4	Amp3-AVR-CLS-DSE-E1-Erpm-ES-FFPM-FLM-FPm-h-Hz-LFSL2-M-MS-ODP-OP-T+-TC-TE-TM-TP-V-WSFP	250x110x161	1375	86	*
781115003	EP150TDE-3A	on request (LS)	165	150	217	217	TAD751GE (IIIA)	6	Standard	145	7150	430	28	15.4	24	LSA44.3L10 AREP	Amp3-AREP-AVR-CLS-DSE-E1-Erpm-ES-FFPM-FLM-FPm-h-Hz-LFSL2-LS2-M-MS-ODP-OP-TC-TE-TM-TP-V-WSFP	250x110x162	1653	88	*
791115003	EP150TDE-3A	on request (MA)	165	150	217	217	TAD751GE (IIIA)	6	Standard	145	7150	430	28	15.4	24	ECP34-2L/4	Amp3-AVR-CLS-DSE-E1-Erpm-ES-FFPM-FLM-FPm-h-Hz-LFSL2-M-MS-ODP-OP-T+-TC-TE-TM-TP-V-WSFP	250x110x162	1715	88	*
781118003	EP180TDE-3A	34845 (LS)	198	180	261	260	TAD752GE (TE IIIA)	6	Standard	174	7150	500	31	16.1	24	LSA46.3S2 AREP	Amp3-AREP-AVR-CLS-DSE-E1-Erpm-ES-FFPM-FLM-FPm-h-Hz-LFSL2-LS2-M-MS-ODP-OP-TC-TE-TM-TP-V-WSFP	280x115x173	1815	89	*
791118003	EP180TDE-3A	34320 (MA)	198	180	261	260	TAD752GE (TE IIIA)	6	Standard	174	7150	500	31	16.1	24	ECO38-1SN/4	Amp3-AVR-CLS-DSE-E1-Erpm-ES-FFPM-FLM-FPm-h-Hz-LFSL2-M-MS-ODP-OP-T+-TC-TE-TM-TP-V-WSFP	280x115x173	1815	89	*
781120003	EP200TDE-3A	on request (LS)	220	200	287	289	TAD753GE (IIIA)	6	Standard	191	7150	500	33.6	14.9	24	LSA46.3S3 AREP	Amp3-AREP-AVR-CLS-DSE-E1-Erpm-ES-FFPM-FLM-FPm-h-Hz-LFSL2-LS2-M-MS-ODP-OP-TC-TE-TM-TP-V-WSFP	280x115x173	1865	90	*
791120003	EP200TDE-3A	on request (MA)	220	200	287	289	TAD753GE (IIIA)	6	Standard	191	7150	500	33.6	14.9	24	ECO38-2S/4	Amp3-AVR-CLS-DSE-E1-Erpm-ES-FFPM-FLM-FPm-h-Hz-LFSL2-M-MS-ODP-OP-T+-TC-TE-TM-TP-V-WSFP	280x115x173	1865	90	*
781125003	EP250TDE-3A	41520 (LS)	275	250	361	361	TAD754GE (TE IIIA)	6	Standard	239	7150	500	43.4	11.5	24	LSA46.3S5 AREP	Amp3-AREP-AVR-CLS-DSE-E1-Erpm-ES-FFPM-FLM-FPm-h-Hz-LFSL2-LS2-M-MS-ODP-OP-TC-TE-TM-TP-V-WSFP	280x115x173	2095	91	*
791125003	EP250TDE-3A	40430 (MA)	275	250	361	361	TAD754GE (TE IIIA)	6	Standard	239	7150	500	43.4	11.5	24	ECO38-1LN/4	Amp3-AVR-CLS-DSE-E1-Erpm-ES-FFPM-FLM-FPm-h-Hz-LFSL2-M-MS-ODP-OP-T+-TC-TE-TM-TP-V-WSFP	280x115x173	2095	91	*

Europower **open** generating sets with **Iveco water-cooled diesel** engine, Stage II, 1500rpm, 50Hz, 4 stroke

60kVA

Article code	TYPE	Price in EURO (ex. VAT)	kVA max. (50Hz)	kVA cont.	Amp.		Engine IVECO (EU Stage II)	Cil.	Electronic speed governor	kW max.	cm³	Tank (l)	Cons. @ 75% load (l/h)	Auto-nomy @ 75% load (h)	Battery voltage (V)	Alternator	Version	Dimensions (cm)	kg	dB(A) @ 7m	LWA
		Alternator			1 ~ 230V	3 ~ 400V															
783106003	EP60TDE	15650 (LS)	66	60	87	87	NEF N45SM1A	4	Option	59	4500	430	12.5	34.4	12	LSA42.3L9 AREP	Amp3-AREP-AVR-DSE-E1-ES-FFPM-FLM-h-Hz-LFLS2-LS2-M-MS-ODP-OP-TC-TE-TM-TP-V-WSFP	250x110x140	1015	84	*
793106003	EP60TDE	15705 (MA)	66	60	87	87	NEF N45SM1A	4	Option	59	4500	430	12.5	34.4	12	ECP32-2M/4	Amp3-AVR-DSE-E1-ES-FFPM-FLM-h-Hz-M-MS-ODP-OP-T+TC-TE-TM-TP-V-WSFP	250x110x140	1050	84	*

Europower **open** generating sets from 85 to 600kVA with **Volvo water-cooled diesel** engine, Stage II, 1500rpm, 50Hz, 4 stroke

85 - 600kVA

Article code	TYPE	Price in EURO (ex. VAT)	kVA max. (50Hz)	kVA cont.	Amp.		Engine VOLVO (EU Stage II)	Cil.	Electronic speed governor	kW max.	cm³	Tank (l)	Cons. @ 75% load (l/h)	Auto-nomy @ 75% load (h)	Battery voltage (V)	Alternator	Version	Dimensions (cm)	kg	dB(A) @ 7m	LWA
		Alternator			1 ~ 230V	3 ~ 400V															
780108503	EP85TDE	21230 (LS)	94	85	122	123	TAD530GE	4	Option	83	4760	430	14.5	29.7	12	LSA44.3S4 AREP	Amp3-AREP-AVR-CLS-DSE-E1-ES-FFPM-FLM-FPm-h-Hz-LFLS2-LS2-M-MS-ODP-OP-TC-TE-TM-TP-V-WSFP	250x110x161	1192	85	*
790108503	EP85TDE	20495 (MA)	94	85	122	123	TAD530GE	4	Option	83	4760	430	14.5	29.7	12	ECP34-1S/4	Amp3-AVR-CLS-DSE-E1-ES-FFPM-FLM-FPm-h-Hz-M-MS-ODP-OP-T+TC-TE-TM-TP-V-WSFP	250x110x161	1245	85	*
780110003	EP100TDE	22780 (LS)	110	100	143	144	TAD531GE	4	Option	96	4760	430	17.1	25.1	12	LSA44.3S5 AREP	Amp3-AREP-AVR-CLS-DSE-E1-ES-FFPM-FLM-FPm-h-Hz-LFLS2-LS2-M-MS-ODP-OP-TC-TE-TM-TP-V-WSFP	250x110x161	1322	86	*
790110003	EP100TDE	22335 (MA)	110	100	143	144	TAD531GE	4	Option	96	4760	430	17.1	25.1	12	ECP34-2S/4	Amp3-AVR-CLS-DSE-E1-ES-FFPM-FLM-FPm-h-Hz-M-MS-ODP-OP-T+TC-TE-TM-TP-V-WSFP	250x110x161	1375	86	*
780113003	EP130TDE	25200 (LS)	143	130	188	188	TAD532GE	4	Standard	124	4760	430	21	20.5	12	LSA44.3M8 AREP	Amp3-AREP-AVR-CLS-DSE-E1-Erpm-ES-FFPM-FLM-FPm-h-Hz-LFLS2-LS2-M-MS-ODP-OP-TC-TE-TM-TP-V-WSFP	250x110x161	1403	87	*
790113003	EP130TDE	24750 (MA)	143	130	188	188	TAD532GE	4	Standard	124	4760	430	21	20.5	12	ECP34-1L/4	Amp3-AVR-CLS-DSE-E1-Erpm-ES-FFPM-FLM-FPm-h-Hz-M-MS-ODP-OP-T+TC-TE-TM-TP-V-WSFP	250x110x161	1445	87	*
780115003	EP150TDE	28755 (LS)	165	150	217	217	TAD731GE	6	Option	145	7150	430	25.7	16.7	12	LSA44.3L10 AREP	Amp3-AREP-AVR-CLS-DSE-E1-ES-FFPM-FLM-FPm-h-Hz-LFLS2-LS2-M-MS-ODP-OP-TC-TE-TM-TP-V-WSFP	250x110x162	1653	88	*
790115003	EP150TDE	27225 (MA)	165	150	217	217	TAD731GE	6	Option	145	7150	430	25.7	16.7	12	ECP34-2L/4	Amp3-AVR-CLS-DSE-E1-ES-FFPM-FLM-FPm-h-Hz-M-MS-ODP-OP-T+TC-TE-TM-TP-V-WSFP	250x110x162	1715	88	*
780118003	EP180TDE	31335 (LS)	198	180	261	260	TAD732GE	6	Standard	179	7150	500	30.6	16.3	24	LSA46.3S2 AREP	Amp3-AREP-AVR-CLS-DSE-E1-Erpm-ES-FFPM-FLM-FPm-h-Hz-LFLS2-LS2-M-MS-ODP-OP-TC-TE-TM-TP-V-WSFP	280x115x173	1815	89	*
790118003	EP180TDE	30820 (MA)	198	180	261	260	TAD732GE	6	Standard	179	7150	500	30.6	16.3	24	ECO38-1SN/4	Amp3-AVR-CLS-DSE-E1-Erpm-ES-FFPM-FLM-FPm-h-Hz-M-MS-ODP-OP-T+TC-TE-TM-TP-V-WSFP	280x115x173	1815	89	*
780120003	EP200TDE	35620 (LS)	220	200	287	289	TAD733GE	6	Standard	195	7150	500	33.8	14.8	24	LSA46.3S3 AREP	Amp3-AREP-AVR-CLS-DSE-E1-Erpm-ES-FFPM-FLM-FPm-h-Hz-LFLS2-LS2-M-MS-ODP-OP-TC-TE-TM-TP-V-WSFP	280x115x173	1865	90	*
790120003	EP200TDE	34110 (MA)	220	200	287	289	TAD733GE	6	Standard	195	7150	500	33.8	14.8	24	ECO38-2S/4	Amp3-AVR-CLS-DSE-E1-Erpm-ES-FFPM-FLM-FPm-h-Hz-M-MS-ODP-OP-T+TC-TE-TM-TP-V-WSFP	280x115x173	1865	90	*
780125003	EP250TDE	39345 (LS)	275	250	361	361	TAD734GE	6	Standard	239	7150	500	41.9	11.9	24	LSA46.3S5 AREP	Amp3-AREP-AVR-CLS-DSE-E1-Erpm-ES-FFPM-FLM-FPm-h-Hz-LFLS2-LS2-M-MS-ODP-OP-TC-TE-TM-TP-V-WSFP	280x115x173	2095	91	*
790125003	EP250TDE	37770 (MA)	275	250	361	361	TAD734GE	6	Standard	239	7150	500	41.9	11.9	24	ECO38-1LN/4	Amp3-AVR-CLS-DSE-E1-Erpm-ES-FFPM-FLM-FPm-h-Hz-M-MS-ODP-OP-T+TC-TE-TM-TP-V-WSFP	280x115x173	2095	91	*
790231503	EP315TDE	52675 (MA)	330	300	435	433	TAD1341GE	6	Standard	302	12780	535 (o)	47	-	24	ECO38-2LN/4	Amp3-AVR-BFT-CLS-DSE-E1-Erpm-ES-FFPM-h-Hz-M-MS-ODP-OP-T+TC-TE-TM-TP-V-VF-WSFP	420x158x228	3440	93	*
780231503	EP315TDE	54645 (LS)	347	315	457	455	TAD1341GE	6	Standard	302	12780	535 (o)	47	-	24	LSA46.3L10 AREP	Amp3-AREP-AVR-BFT-CLS-DSE-E1-Erpm-ES-FFPM-h-Hz-LS2-M-MS-ODP-OP-TC-TE-TM-TP-V-VF-WSFP	420x158x228	3570	93	*
780241003	EP410TDE	65180 (LS)	450	410	596	592	TAD1344GE	6	Standard	389	12780	535 (o)	62	-	24	LSA47.2S4 AREP	Amp3-AREP-AVR-BFT-CLS-DSE-E1-Erpm-ES-FFPM-h-Hz-LS2-M-MS-ODP-OP-TC-TE-TM-TP-V-VF-WSFP	420x158x228	3720	93	*
790241003	EP410TDE	63870 (MA)	450	410	596	592	TAD1344GE	6	Standard	389	12780	535 (o)	62	-	24	ECO40-1S	Amp3-AVR-BFT-CLS-DSE-E1-Erpm-ES-FFPM-h-Hz-M-MS-ODP-OP-T+TC-TE-TM-TP-V-VF-WSFP	420x158x228	3785	93	*
780250003	EP500TDE	84280 (LS)	550	500	726	722	TAD1641GE	6	Standard	473	16120	722 (o)	75	-	24	LSA47.2M7 AREP	Amp3-AREP-AVR-BFT-CLS-DSE-E1-Erpm-ES-FFPM-h-Hz-LS2-M-MS-ODP-OP-TC-TE-TM-TP-V-VF-WSFP	430x198x261	4370	93	*
790250003	EP500TDE	82445 (MA)	550	500	726	722	TAD1641GE	6	Standard	473	16120	722 (o)	75	-	24	ECO40-3S/4	Amp3-AVR-BFT-CLS-DSE-E1-Erpm-ES-FFPM-h-Hz-M-MS-ODP-OP-T+TC-TE-TM-TP-V-VF-WSFP	430x198x261	4295	93	*
780260003	EP600TDE	92705 (LS)	650	591	857	853	TAD1642GE	6	Standard	554	16120	722 (o)	87	-	24	LSA47.2L9 AREP	Amp3-AREP-AVR-BFT-CLS-DSE-E1-Erpm-ES-FFPM-h-Hz-LS2-M-MS-ODP-OP-TC-TE-TM-TP-V-VF-WSFP	430x198x261	4500	93	*
790260003	EP600TDE	90330 (MA)	650	591	857	853	TAD1642GE	6	Standard	554	16120	722 (o)	87	-	24	ECO40-1.5/L	Amp3-AVR-BFT-CLS-DSE-E1-Erpm-ES-FFPM-h-Hz-M-MS-ODP-OP-T+TC-TE-TM-TP-V-VF-WSFP	430x198x261	4510	93	*

(o) = Option

Europower silenced generating sets with Iveco water-cooled diesel engine, Stage IIIA, 1500rpm, 50Hz, 4 stroke

60kVA

Article code	TYPE	Price in EURO (ex. VAT)	kVA max. (50Hz)	kVA cont.	Amp.		Engine IVECO (EU Stage)	Cil.	Electronic speed governor	kW max.	cm³	Tank (l)	Cons. @ 75% load (l/h)	Autonomy @ 75% load (h)	Battery voltage (V)	Alternator	Version	Dimensions (cm)	kg	dB(A) @ 7m	LWA
		Alternator			1 ~ 230V	3 ~ 400V															
784106013	EPS60TDE-3A	22145 (LS)	66	60	87	87	NEF N45SM1F (TE IIIA)	4	Option	60	4500	195	12.5	15.6	12	LSA42.3L9 AREP	B8-Amp3-AREP-AVR-BFT-DSE-E1-ES-FFPM-FIA-FLM-h-Hz-LE-LFLS2-LS2-MS-ODP-OP-TC-TE-TM2-TP-V-WSFP	285x114x190	1433	64	89
794106013	EPS60TDE-3A	22255 (MA)	66	60	87	87	NEF N45SM1F (TE IIIA)	4	Option	60	4500	195	12.5	15.6	12	ECP32-2M/4	B8-Amp3-AVR-BFT-DSE-E1-ES-FFPM-FIA-FLM-h-Hz-LE-LFLS2-MS-ODP-OP-T+TC-TE-TM2-TP-V-WSFP	285x114x190	1475	64	89

Europower silenced generating sets from 100 to 250kVA with Volvo water-cooled diesel engines, Stage IIIA, 1500rpm, 50Hz, 4 stroke

100 - 250kVA

Article code	TYPE	Price in EURO (ex. VAT)	kVA max. (50Hz)	kVA cont.	Amp.		Engine VOLVO (EU Stage)	Cil.	Electronic speed governor	kW max.	cm³	Tank (l)	Cons. @ 75% load (l/h)	Autonomy @ 75% load (h)	Battery voltage (V)	Alternator	Version	Dimensions (cm)	kg	dB(A) @ 7m	LWA
		Alternator			1 ~ 230V	3 ~ 400V															
781110013	EPS100TDE-3A	29250 (LS)	110	100	143	144	TAD551GE (TE IIIA)	4	Standard	100	4760	195	21.2	9.2	24	LSA44.3S5 AREP	B8-Amp3-AREP-AVR-BFT-CLS-DSE-E1-Erpm-ES-FFPM-FIA-FLM-FPm-h-Hz-LE-LFLS2-LS2-MS-ODP-OP-TC-TE-TM2-TP-V-WSFP	285x114x190	1722	71	96
791110013	EPS100TDE-3A	28880 (MA)	110	100	152	144	TAD551GE (TE IIIA)	4	Standard	100	4760	195	21.2	9.2	24	ECP34-2S/4	B8-Amp3-AVR-BFT-CLS-DSE-E1-Erpm-ES-FFPM-FIA-FLM-FPm-h-Hz-LE-LFLS2-MS-ODP-OP-T+TC-TE-TM2-TP-V-WSFP	285x114x190	1775	71	96
781115013	EPS150TDE-3A	on request (LS)	165	150	217	217	TAD751GE (IIIA)	6	Standard	145	7150	288	28	10.3	24	LSA44.3L10 AREP	B8-Amp3-AREP-AVR-BFT-CLS-DSE-E1-Erpm-ES-FFPM-FIA-FLM-FPm-h-Hz-LE-LFLS2-LS2-MS-ODP-OP-TC-TE-TM2-TP-V-WSFP	330x122x197	2245	72	97
791115013	EPS150TDE-3A	on request (MA)	165	150	217	217	TAD751GE (IIIA)	6	Standard	145	7150	288	28	10.3	24	ECP34-2L/4	B8-Amp3-AVR-BFT-CLS-DSE-E1-Erpm-ES-FFPM-FIA-FLM-FPm-h-Hz-LE-LFLS2-MS-ODP-OP-T+TC-TE-TM2-TP-V-WSFP	330x122x197	2290	72	97
781118013	EPS180TDE-3A	42925 (LS)	198	180	261	260	TAD752GE (TE IIIA)	6	Standard	174	7150	352	31	11.4	24	LSA46.3S2 AREP	B8-Amp3-AREP-AVR-BFT-CLS-DSE-E1-Erpm-ES-FFPM-FIA-FLM-FPm-h-Hz-LE-LFLS2-LS2-MS-ODP-OP-TC-TE-TM2-TP-V-WSFP	360x123x221	2740	72	97
791118013	EPS180TDE-3A	42405 (MA)	198	180	261	260	TAD752GE (TE IIIA)	6	Standard	174	7150	352	31	11.4	24	ECO38-1SN/4	B8-Amp3-AVR-BFT-CLS-DSE-E1-Erpm-ES-FFPM-FIA-FLM-FPm-h-Hz-LE-LFLS2-MS-ODP-OP-T+TC-TE-TM2-TP-V-WSFP	360x123x221	2665	72	97
781120013	EPS200TDE-3A	on request (LS)	220	200	287	289	TAD753GE (IIIA)	6	Standard	191	7150	352	33.6	10.5	24	LSA46.3S3 AREP	B8-Amp3-AREP-AVR-BFT-CLS-DSE-E1-Erpm-ES-FFPM-FIA-FLM-FPm-h-Hz-LE-LFLS2-LS2-MS-ODP-OP-TC-TE-TM2-TP-V-WSFP	360x123x221	2780	72	97
791120013	EPS200TDE-3A	on request (MA)	220	200	287	289	TAD753GE (IIIA)	6	Standard	191	7150	352	33.6	10.5	24	ECO38-2S/4	B8-Amp3-AVR-BFT-CLS-DSE-E1-Erpm-ES-FFPM-FIA-FLM-FPm-h-Hz-LE-LFLS2-MS-ODP-OP-T+TC-TE-TM2-TP-V-WSFP	360x123x221	2700	72	97
781125013	EPS250TDE-3A	48920 (LS)	275	250	361	361	TAD754GE (TE IIIA)	6	Standard	239	7150	352	43.4	8.1	24	LSA46.3S5 AREP	B8-Amp3-AREP-AVR-BFT-CLS-DSE-E1-Erpm-ES-FFPM-FIA-FLM-FPm-h-Hz-LE-LFLS2-LS2-MS-ODP-OP-TC-TE-TM2-TP-V-WSFP	360x123x221	2940	72	97
791125013	EPS250TDE-3A	47370 (MA)	275	250	361	361	TAD754GE (TE IIIA)	6	Standard	239	7150	352	43.4	8.1	24	ECO38-1LN/4	B8-Amp3-AVR-BFT-CLS-DSE-E1-Erpm-ES-FFPM-FIA-FLM-FPm-h-Hz-LE-LFLS2-MS-ODP-OP-T+TC-TE-TM2-TP-V-WSFP	360x123x221	2835	72	97

Europower silenced generating sets with Iveco water-cooled diesel engine, Stage II, 1500rpm, 50Hz, 4 stroke

60kVA

Article code	TYPE	Price in EURO (ex. VAT)	kVA max. (50Hz)	kVA cont.	Amp.		Engine IVECO (EU Stage II)	Cil.	Electronic speed governor	kW max.	cm ³	Tank (l)	Cons. @75% load (l/h)	Autonomy @75% load (h)	Battery voltage (V)	Alternator	Version	Dimensions (cm)	kg	dB(A) @ 7m	LWA
		Alternator			1 ~ 230V	3 ~ 400V															
783106013	EPS60TDE	21100 (LS)	66	60	87	87	NEF N45SM1A	4	Option	59	4500	195	10.2	19.1	12	LSA42.3L9 AREP	B8-Amp3-AREP-AVR-BFT-DSE-E1-ES-FFPM-FIA-FLM-h-Hz-LE-LFLS2-LS2-MS-ODP-OP-TC-TE-TM2-TP-V-WSPF	285x114x190	1430	64	89
793106013	EPS60TDE	21210 (MA)	66	60	87	87	NEF N45SM1A	4	Option	59	4500	195	10.2	19.1	12	ECP32-2	B8-Amp3-AVR-BFT-DSE-E1-ES-FFPM-FIA-FLM-h-Hz-LE-LFLS2-MS-ODP-OP-T+TC-TE-TM2-TP-V-WSPF	285x114x190	1456	64	89

Europower silenced generating sets from 85 to 600kVA with Volvo water-cooled diesel engine, Stage II, 1500rpm, 50Hz, 4 stroke

85 - 600kVA

Article code	TYPE	Price in EURO (ex. VAT)	kVA max. (50Hz)	kVA cont.	Amp.		Engine VOLVO (EU Stage II)	Cil.	Electronic speed governor	kW max.	cm ³	Tank (l)	Cons. @75% load (l/h)	Autonomy @75% load (h)	Battery voltage (V)	Alternator	Version	Dimensions (cm)	kg	dB(A) @ 7m	LWA
		Alternator			1 ~ 230V	3 ~ 400V															
780108513	EPS85TDE	26400 (LS)	94	85	122	123	TAD530GE	4	Option	83	4760	195	14.5	13.4	12	LSA44.3S4 AREP	B8-Amp3-AREP-AVR-BFT-CLS-DSE-E1-ES-FFPM-FIA-FLM-FFm-h-Hz-LE-LFLS2-LS2-MS-ODP-OP-TC-TE-TM2-TP-V-WSPF	285x114x190	1712	71	96
790108513	EPS85TDE	25660 (MA)	94	85	122	123	TAD530GE	4	Option	83	4760	195	14.5	13.4	12	ECP34-1S/4	B8-Amp3-AVR-BFT-CLS-DSE-E1-ES-FFPM-FIA-FLM-FFm-h-Hz-LE-LFLS2-MS-ODP-OP-T+TC-TE-TM2-TP-V-WSPF	285x114x190	1765	71	96
780110013	EPS100TDE	26685 (LS)	110	100	143	144	TAD531GE	4	Option	96	4760	195	17.1	11.4	12	LSA44.3S5 AREP	B8-Amp3-AREP-AVR-BFT-CLS-DSE-E1-ES-FFPM-FIA-FLM-FFm-h-Hz-LE-LFLS2-LS2-MS-ODP-OP-TC-TE-TM2-TP-V-WSPF	285x114x190	1722	71	96
790110013	EPS100TDE	26265 (MA)	110	100	152	144	TAD531GE	4	Option	96	4760	195	17.1	11.4	12	ECP34-2S/4	B8-Amp3-AVR-BFT-CLS-DSE-E1-ES-FFPM-FIA-FLM-FFm-h-Hz-LE-LFLS2-MS-ODP-OP-T+TC-TE-TM2-TP-V-WSPF	285x114x190	1775	71	96
780115013	EPS150TDE	32990 (LS)	165	150	217	217	TAD731GE	6	Option	145	7150	288	25.7	11.2	12	LSA44.3L10 AREP	B8-Amp3-AREP-AVR-BFT-CLS-DSE-E1-ES-FFPM-FIA-FLM-FFm-h-Hz-LE-LFLS2-LS2-MS-ODP-OP-TC-TE-TM2-TP-V-WSPF	330x122x197	2388	72	97
790115013	EPS150TDE	32370 (MA)	165	150	217	217	TAD731GE	6	Option	145	7150	288	25.7	11.2	12	ECP34-2L/4	B8-Amp3-AVR-BFT-CLS-DSE-E1-ES-FFPM-FIA-FLM-FFm-h-Hz-LE-LFLS2-MS-ODP-OP-T+TC-TE-TM2-TP-V-WSPF	330x122x197	2450	72	97
780118013	EPS180TDE	38590 (LS)	198	180	261	260	TAD732GE	6	Standard	179	7150	352	30.6	11.5	24	LSA46.3S2 AREP	B8-Amp3-AREP-AVR-BFT-CLS-DSE-E1-Erpm-ES-FFPM-FIA-FLM-FFm-h-Hz-LE-LFLS2-LS2-MS-ODP-OP-TC-TE-TM2-TP-V-WSPF	360x123x221	2740	72	97
790118013	EPS180TDE	38015 (MA)	198	180	261	260	TAD732GE	6	Standard	179	7150	352	30.6	11.5	24	ECO38-1SN/4	B8-Amp3-AVR-BFT-CLS-DSE-E1-Erpm-ES-FFPM-FIA-FLM-FFm-h-Hz-LE-LFLS2-MS-ODP-OP-T+TC-TE-TM2-TP-V-WSPF	360x123x221	2665	72	97
780120013	EPS200TDE	42230 (LS)	220	200	287	289	TAD733GE	6	Standard	195	7150	352	33.8	10.4	24	LSA46.3S3 AREP	B8-Amp3-AREP-AVR-BFT-CLS-DSE-E1-Erpm-ES-FFPM-FIA-FLM-FFm-h-Hz-LE-LFLS2-LS2-MS-ODP-OP-TC-TE-TM2-TP-V-WSPF	360x123x221	2780	72	97
790120013	EPS200TDE	41250 (MA)	220	200	287	289	TAD733GE	6	Standard	195	7150	352	33.8	10.4	24	ECO38-2S/4	A-Amp3-AVR-BFT-CLS-DSE-E1-Erpm-ES-FFPM-FIA-FLM-FFm-h-Hz-LE-LFLS2-MS-ODP-OP-T+TC-TE-TM2-TP-V-WSPF	360x123x221	2715	72	97
780125013	EPS250TDE	45580 (LS)	275	250	361	361	TAD734GE	6	Standard	239	7150	352	41.9	8.4	24	LSA46.3S5 AREP	B8-Amp3-AREP-AVR-BFT-CLS-DSE-E1-Erpm-ES-FFPM-FIA-FLM-FFm-h-Hz-LE-LFLS2-LS2-MS-ODP-OP-TC-TE-TM2-TP-V-WSPF	360x123x221	2865	72	97
790125013	EPS250TDE	43680 (MA)	275	250	361	361	TAD734GE	6	Standard	239	7150	352	41.9	8.4	24	ECO38-1LN/4	B8-Amp3-AVR-BFT-CLS-DSE-E1-Erpm-ES-FFPM-FIA-FLM-FFm-h-Hz-LE-LFLS2-MS-ODP-OP-T+TC-TE-TM2-TP-V-WSPF	360x123x221	2835	72	97
790231513	EPS315TDE	57530 (MA)	330	300	435	433	TAD1341GE	6	Standard	302	12780	535	47	11.4	24	ECO38-2LN/4	A0-Amp3-AVR-BFT-CLS-DSE-E1-Erpm-ES-FFPM-h-Hz-LE2-MS-ODP-OP-T+TC-TE-TM1-TP-V-VF-WSPF	422x160x228	4095	72	97
780231513	EPS315TDE	59950 (LS)	347	315	457	455	TAD1341GE	6	Standard	302	12780	535	47	11.4	24	LSA46.3L10 AREP	A0-Amp3-AREP-AVR-BFT-CLS-DSE-E1-Erpm-ES-FFPM-h-Hz-LE2-LS2-MS-ODP-OP-TC-TE-TM1-TP-V-VF-WSPF	422x160x228	3950	72	97
780241013	EPS410TDE	70150 (LS)	450	410	596	592	TAD1344GE	6	Standard	389	12780	535	62	8.6	24	LSA47.2S4 AREP	A0-Amp3-AREP-AVR-BFT-CLS-DSE-E1-Erpm-ES-FFPM-h-Hz-LE2-LS2-MS-ODP-OP-TC-TE-TM1-TP-V-VF-WSPF	422x160x228	4370	72	97
790241013	EPS410TDE	68605 (MA)	450	410	596	592	TAD1344GE	6	Standard	389	12780	535	62	8.6	24	ECO40-1S	A0-Amp3-AVR-BFT-CLS-DSE-E1-Erpm-ES-FFPM-h-Hz-LE2-MS-ODP-OP-T+TC-TE-TM1-TP-V-VF-WSPF	422x160x228	4100	72	97
780250013	EPS500TDE	90430 (LS)	550	500	726	722	TAD1641GE	6	Standard	473	16120	722	75	9.6	24	LSA47.2M7 AREP	A0-Amp3-AREP-AVR-BFT-CLS-DSE-E1-Erpm-ES-FFPM-h-Hz-LE2-LS2-MS-ODP-OP-TC-TE-TM1-TP-V-VF-WSPF	481x200x261	5250	72	97
790250013	EPS500TDE	87755 (MA)	550	500	726	722	TAD1641GE	6	Standard	473	16120	722	75	9.6	24	ECO40-3S/4	A0-Amp3-AVR-BFT-CLS-DSE-E1-Erpm-ES-FFPM-h-Hz-LE2-MS-ODP-OP-T+TC-TE-TM1-TP-V-VF-WSPF	481x200x261	5180	72	97
780260013	EPS600TDE	98600 (LS)	650	591	857	853	TAD1642GE	6	Standard	554	16120	722	87	8.3	24	LSA47.2L9 AREP	A0-Amp3-AREP-AVR-BFT-CLS-DSE-E1-Erpm-ES-FFPM-h-Hz-LE2-LS2-MS-ODP-OP-TC-TE-TM1-TP-V-VF-WSPF	481x200x261	5380	72	97
790260013	EPS600TDE	95255 (MA)	650	591	857	853	TAD1642GE	6	Standard	554	16120	722	87	8.3	24	ECO40-1.5/L	A0-Amp3-AREP-AVR-BFT-CLS-DSE-E1-Erpm-ES-FFPM-h-Hz-LE2-LS2-MS-ODP-OP-TC-TE-TM1-TP-V-VF-WSPF	481x200x261	5390	72	97

(o) = Option

Europower rental silenced generating sets with Iveco water-cooled diesel engine, Stage IIIA, 1500rpm, 50Hz, 4 stroke

60kVA

Article code	TYPE	Price in EURO (ex. VAT)	kVA max. (50Hz)	kVA cont.	Amp.		Engine IVECO (EU Stage)	Cil.	Electronic speed governor	kW max.	cm³	Tank (l)	Cons. @ 75% load (l/h)	Autonomy @ 75% load (h)	Battery voltage (V)	Alternator	Version	Dimensions (cm)	kg	dB(A) @ 7m	LWA
		Alternator			1 - 230V	3 - 400V															
784106023	EPSR60TDE-3A	25485 (LS)	66	60	87	87	NEF N45SM1F (TE IIIA)	4	Option	60	4500	520	12.5	41.6	12	LSA42.3L9 AREP	B15-Amp3-AREP-AVR-BFT-DH-DSE-E1-ES-FFPM-FH-FIA-FLM-GALV-h-Hz-LE-LFLS2-LS2-MS-ODP-OP-PC-PI-T+TC-TE-TM2-TP-V-VS-WSFP	285x110x206	1720	62	87
794106023	EPSR60TDE-3A	25595 (MA)	66	60	87	87	NEF N45SM1F (TE IIIA)	4	Option	60	4500	520	12.5	41.6	12	ECP32-2M/4	B15-Amp3-AVR-BFT-DH-DSE-E1-ES-FFPM-FH-FIA-FLM-GALV-h-Hz-LE-LFLS2-MS-ODP-OP-PC-PI-T+TC-TE-TM2-TP-V-VS-WSFP	285x110x206	1787	62	87

Europower rental silenced generating sets from 100 to 250kVA with Volvo water-cooled diesel engines, Stage IIIA, 1500rpm, 50Hz, 4 stroke

100 - 250kVA

Article code	TYPE	Price in EURO (ex. VAT)	kVA max. (50Hz)	kVA cont.	Amp.		Engine VOLVO (EU Stage)	Cil.	Electronic speed governor	kW max.	cm³	Tank (l)	Cons. @ 75% load (l/h)	Autonomy @ 75% load (h)	Battery voltage (V)	Alternator	Version	Dimensions (cm)	kg	dB(A) @ 7m	LWA
		Alternator			1 - 230V	3 - 400V															
781110023	EPSR100TDE-3A	32960 (LS)	110	100	143	144	TAD551GE (TE IIIA)	4	Standard	100	4760	520	21.2	24.5	24	LSA44.3S5 AREP	B15-Amp3-AREP-AVR-BFT-CLS-DH-DSE-E1-Erpm-ES-FFPM-FH-FIA-FLM-FPm-GALV-h-Hz-LE-LFLS2-LS2-MS-ODP-OP-PC-PI-T+TC-TE-TM2-TP-V-VS-WSFP	285x110x206	2047	68	93
791110023	EPSR100TDE-3A	32055 (MA)	110	100	143	144	TAD551GE (TE IIIA)	4	Standard	100	4760	520	21.2	24.5	24	ECP34-2S/4	B15-Amp3-AVR-BFT-CLS-DH-DSE-E1-Erpm-ES-FFPM-FH-FIA-FLM-FPm-GALV-h-Hz-LE-LFLS2-MS-ODP-OP-PC-PI-T+TC-TE-TM2-TP-V-VS-WSFP	285x110x206	2100	68	93
781115023	EPSR150TDE-3A	on request (LS)	165	150	217	217	TAD751GE (IIIA)	6	Standard	145	7150	910	28	32.5	24	LSA44.3L10 AREP	B15-Amp3-AREP-AVR-BFT-CLS-DH-DSE-E1-Erpm-ES-FFPM-FH-FIA-FLM-FPm-GALV-h-Hz-LE-LFLS2-LS2-MS-ODP-OP-PC-PI-T+TC-TE-TM2-TP-V-VS-WSFP	329x118x221	2685	72	97
791115023	EPSR150TDE-3A	on request (MA)	165	150	217	217	TAD751GE (IIIA)	6	Standard	145	7150	910	28	32.5	24	ECP34-2L/4	B15-Amp3-AVR-BFT-CLS-DH-DSE-E1-Erpm-ES-FFPM-FH-FIA-FLM-FPm-GALV-h-Hz-LE-LFLS2-MS-ODP-OP-PC-PI-T+TC-TE-TM2-TP-V-VS-WSFP	329x118x221	2725	72	97
781118023	EPSR180TDE-3A	46470 (LS)	198	180	261	260	TAD752GE (TE IIIA)	6	Standard	174	7150	1220	31	39.4	24	LSA46.3S2 AREP	B16-Amp3-AREP-AVR-BFT-CLS-DH-DSE-E1-Erpm-ES-FFPM-FH-FIA-FLM-FPm-GALV-h-Hz-LE-LFLS2-LS2-MS-ODP-OP-PC-PI-T+TC-TE-TM2-TP-V-VS-WSFP	360x123x256	2950	72	97
791118023	EPSR180TDE-3A	45960 (MA)	198	180	261	260	TAD752GE (TE IIIA)	6	Standard	174	7150	1220	31	39.4	24	ECO38-1SN/4	B16-Amp3-AVR-BFT-CLS-DH-DSE-E1-Erpm-ES-FFPM-FH-FIA-FLM-FPm-GALV-h-Hz-LE-LFLS2-MS-ODP-OP-PC-PI-T+TC-TE-TM2-TP-V-VS-WSFP	360x123x256	2950	72	97
781120023	EPSR200TDE-3A	on request (LS)	220	200	287	289	TAD753GE (IIIA)	6	Standard	191	7150	1220	33.6	36.3	24	LSA46.3S3 AREP	B16-Amp3-AREP-AVR-BFT-CLS-DH-DSE-E1-Erpm-ES-FFPM-FH-FIA-FLM-FPm-GALV-h-Hz-LE-LFLS2-LS2-MS-ODP-OP-PC-PI-T+TC-TE-TM2-TP-V-VS-WSFP	360x123x256	3000	72	97
791120023	EPSR200TDE-3A	on request (MA)	220	200	287	289	TAD753GE (IIIA)	6	Standard	191	7150	1220	33.6	36.3	24	ECO38-2S/4	B16-Amp3-AVR-BFT-CLS-DH-DSE-E1-Erpm-ES-FFPM-FH-FIA-FLM-FPm-GALV-h-Hz-LE-LFLS2-MS-ODP-OP-PC-PI-T+TC-TE-TM2-TP-V-VS-WSFP	360x123x256	3000	72	97
781125023	EPSR250TDE-3A	52040 (LS)	275	250	361	361	TAD754GE (TE IIIA)	6	Standard	239	7150	1220	43.4	28.1	24	LSA46.3S5 AREP	B16-Amp3-AREP-AVR-BFT-CLS-DH-DSE-E1-Erpm-ES-FFPM-FH-FIA-FLM-FPm-GALV-h-Hz-LE-LFLS2-LS2-MS-ODP-OP-PC-PI-T+TC-TE-TM2-TP-V-VS-WSFP	360x123x256	3320	72	97
791125023	EPSR250TDE-3A	50080 (MA)	275	250	361	361	TAD754GE (TE IIIA)	6	Standard	239	7150	1220	43.4	28.1	24	ECO38-1LN/4	B16-Amp3-AVR-BFT-CLS-DH-DSE-E1-Erpm-ES-FFPM-FH-FIA-FLM-FPm-GALV-h-Hz-LE-LFLS2-MS-ODP-OP-PC-PI-T+TC-TE-TM2-TP-V-VS-WSFP	360x123x256	3320	72	97

Europower rental ultra-silenced generating sets from 130 to 180kVA with Volvo water-cooled diesel engines, Stage IIIA, 1500rpm, 50Hz, 4 stroke

130 - 180kVA

Article code	TYPE	Price in EURO (ex. VAT)	kVA max. (50Hz)	kVA cont.	Amp.		Engine VOLVO (EU Stage)	Cil.	Electronic speed governor	kW max.	cm³	Tank (l)	Cons. @ 75% load (l/h)	Autonomy @ 75% load (h)	Battery voltage (V)	Alternator	Version	Dimensions (cm)	kg	dB(A) @ 7m	LWA
		Alternator			1 - 230V	3 - 400V															
781113033	EPUS130TDE-3A	50825 (LS)	143	130	187	188	TAD752GE (TE IIIA)	6	Standard	174	7150	1220	23.8	51.3	24	LSA44.3M8 AREP	B15-Amp3-AREP-AVR-BFT-CLS-DH-DSE-E1-Erpm-ES-FFPM-FH-FIA-FLM-FPm-GALV-h-Hz-LE-LFLS2-LS2-MS-ODP-OP-PC-PI-T+TC-TE-TM2-TP-V-VF-VS-WSFP	360x123x256	3200	68	93
781115033	EPUS150TDE-3A	51425 (LS)	165	150	217	217	TAD752GE (TE IIIA)	6	Standard	174	7150	1220	28	43.6	24	LSA44.3L10 AREP	B15-Amp3-AREP-AVR-BFT-CLS-DH-DSE-E1-Erpm-ES-FFPM-FH-FIA-FLM-FPm-GALV-h-Hz-LE-LFLS2-LS2-MS-ODP-OP-PC-PI-T+TC-TE-TM2-TP-V-VF-VS-WSFP	360x123x256	3235	68	93
781118033	EPUS180TDE-3A	53390 (LS)	198	180	261	260	TAD752GE (TE IIIA)	6	Standard	174	7150	1220	31	39.4	24	LSA46.3S2 AREP	B16-Amp3-AREP-AVR-BFT-CLS-DH-DSE-E1-Erpm-ES-FFPM-FH-FIA-FLM-FPm-GALV-h-Hz-LE-LFLS2-LS2-MS-ODP-OP-PC-PI-T+TC-TE-TM2-TP-V-VF-VS-WSFP	360x123x256	3660	69	94

Europower rental silenced generating sets with Iveco water-cooled diesel engine, Stage II, 1500rpm, 50Hz, 4 stroke

60kVA

Article code	TYPE	Price in EURO (ex. VAT)	kVA max. (50Hz)	kVA cont.	Amp.		Engine IVECO (EU Stage II)	Cil.	Electronic speed governor	kW max.	cm³	Tank (l)	Cons. @ 75% load (l/h)	Auto-nomy @ 75% load (h)	Battery voltage (V)	Alternator	Version	Dimensions (cm)	kg	dB(A) @ 7m	LWA
		Alternator			1 ~ 230V	3 ~ 400V															
783106023	EPSR60TDE	24325 (LS)	66	60	87	87	NEF N45SM1A	4	Option	59	4500	520	10.2	51	12	LSA42.3L9 AREP	B15-Amp3-AREP-AVR-BFT-DH-DSE-E1-ES-FFPM-FH-FIA-FLM-FPM-GALV-h-Hz-LE-LFLS2-LS2-MS-ODP-OP-PC-PI-T-C-TE-TM2-TP-V-VS-WSFP	285x110x206	1720	62	87
793106023	EPSR60TDE	24440 (MA)	66	60	87	87	NEF N45SM1A	4	Option	59	4500	520	10.2	51	12	ECP32-2M/4	B15-Amp3-AVR-BFT-DH-DSE-E1-ES-FFPM-FH-FIA-FLM-GALV-h-Hz-LE-LFLS2-MS-ODP-OP-PC-PI-T+-TC-TE-TM2-TP-V-VS-WSFP	285x110x206	1787	62	87

Europower rental silenced generating sets from 85 to 250kVA with Volvo water-cooled diesel engine, Stage II, 1500rpm, 50Hz, 4 stroke

85 - 250kVA

Article code	TYPE	Price in EURO (ex. VAT)	kVA max. (50Hz)	kVA cont.	Amp.		Engine VOLVO (EU Stage II)	Cil.	Electronic speed governor	kW max.	cm³	Tank (l)	Cons. @ 75% load (l/h)	Auto-nomy @ 75% load (h)	Battery voltage (V)	Alternator	Version	Dimensions (cm)	kg	dB(A) @ 7m	LWA
		Alternator			1 ~ 230V	3 ~ 400V															
780108523	EPSR85TDE	30075 (LS)	94	85	122	123	TAD530GE	4	Option	83	4760	520	14.5	35.9	12	LSA44.3S4 AREP	B15-Amp3-AREP-AVR-BFT-CLS-DH-DSE-E1-ES-FFPM-FH-FIA-FLM-FPM-GALV-h-Hz-LE-LFLS2-LS2-MS-ODP-OP-PC-PI-T-C-TE-TM2-TP-V-VS-WSFP	285x110x206	2037	70	95
790108523	EPSR85TDE	29010 (MA)	94	85	122	123	TAD530GE	4	Option	83	4760	520	14.5	35.9	12	ECP34-1S/4	B15-Amp3-AVR-BFT-CLS-DH-DSE-E1-ES-FFPM-FH-FIA-FLM-FPM-GALV-h-Hz-LE-LFLS2-MS-ODP-OP-PC-PI-T+-TC-TE-TM2-TP-V-VS-WSFP	285x110x206	2090	70	95
780110023	EPSR100TDE	30485 (LS)	110	100	143	144	TAD531GE	4	Option	96	4760	520	17.1	30.4	12	LSA44.3S5 AREP	B15-Amp3-AREP-AVR-BFT-CLS-DH-DSE-E1-ES-FFPM-FH-FIA-FLM-FPM-GALV-h-Hz-LE-LFLS2-LS2-MS-ODP-OP-PC-PI-T-C-TE-TM2-TP-V-VS-WSFP	285x110x206	2047	70	95
790110023	EPSR100TDE	29665 (MA)	110	100	152	144	TAD531GE	4	Option	96	4760	520	17.1	30.4	12	ECP34-2S/4	B15-Amp3-AVR-BFT-CLS-DH-DSE-E1-ES-FFPM-FH-FIA-FLM-FPM-GALV-h-Hz-LE-LFLS2-MS-ODP-OP-PC-PI-T+-TC-TE-TM2-TP-V-VS-WSFP	285x110x206	2100	70	95
780115023	EPSR150TDE	38335 (LS)	165	150	217	217	TAD731GE	6	Option	145	7150	910	25.7	35.4	12	LSA44.3L10 AREP	B15-Amp3-AREP-AVR-BFT-CLS-DH-DSE-E1-ES-FFPM-FH-FIA-FLM-FPM-GALV-h-Hz-LE-LFLS2-LS2-MS-ODP-OP-PC-PI-T-C-TE-TM2-TP-V-VS-WSFP	329x118x221	2608	72	97
790115023	EPSR150TDE	36410 (MA)	165	150	217	217	TAD731GE	6	Option	145	7150	910	25.7	35.4	12	ECP34-2L/4	B15-Amp3-AVR-BFT-CLS-DH-DSE-E1-ES-FFPM-FH-FIA-FLM-FPM-GALV-h-Hz-LE-LFLS2-MS-ODP-OP-PC-PI-T+-TC-TE-TM2-TP-V-VS-WSFP	329x118x221	2670	72	97
780118023	EPSR180TDE	42955 (LS)	198	180	261	260	TAD732GE	6	Standard	179	7150	1220	30.6	39.9	24	LSA46.3S2 AREP	B16-Amp3-AREP-AVR-BFT-CLS-DH-DSE-E1-Erpm-ES-FFPM-FH-FIA-FLM-FPM-GALV-h-Hz-LE-LFLS2-LS2-MS-ODP-OP-PC-PI-T-C-TE-TM2-TP-V-VS-WSFP	360x123x256	2950	72	97
790118023	EPSR180TDE	42450 (MA)	198	180	261	260	TAD732GE	6	Standard	179	7150	1220	30.6	39.9	24	ECO38-1SN/4	B16-Amp3-AVR-BFT-CLS-DH-DSE-E1-Erpm-ES-FFPM-FH-FIA-FLM-FPM-GALV-h-Hz-LE-LFLS2-MS-ODP-OP-PC-PI-T+-TC-TE-TM2-TP-V-VS-WSFP	360x123x256	2950	72	97
780120023	EPSR200TDE	45760 (LS)	220	200	287	289	TAD733GE	6	Standard	195	7150	1220	33.8	36.1	24	LSA46.3S3 AREP	B16-Amp3-AREP-AVR-BFT-CLS-DH-DSE-E1-Erpm-ES-FFPM-FH-FIA-FLM-FPM-GALV-h-Hz-LE-LFLS2-LS2-MS-ODP-OP-PC-PI-T-C-TE-TM2-TP-V-VS-WSFP	360x123x256	3000	72	97
790120023	EPSR200TDE	44670 (MA)	220	200	287	289	TAD733GE	6	Standard	195	7150	1220	33.8	36.1	24	ECO38-2S/4	B16-Amp3-AVR-BFT-CLS-DH-DSE-E1-Erpm-ES-FFPM-FH-FIA-FLM-FPM-GALV-h-Hz-LE-LFLS2-MS-ODP-OP-PC-PI-T+-TC-TE-TM2-TP-V-VS-WSFP	360x123x256	3000	72	97
780125023	EPSR250TDE	49380 (LS)	275	250	361	361	TAD734GE	6	Standard	239	7150	1220	41.9	29.1	24	LSA46.3S5 AREP	B16-Amp3-AREP-AVR-BFT-CLS-DH-DSE-E1-Erpm-ES-FFPM-FH-FIA-FLM-FPM-GALV-h-Hz-LE-LFLS2-LS2-MS-ODP-OP-PC-PI-T-C-TE-TM2-TP-V-VS-WSFP	360x123x256	3320	72	97
790125023	EPSR250TDE	47640 (MA)	275	250	361	361	TAD734GE	6	Standard	239	7150	1220	41.9	29.1	24	ECO38-1LN/4	B16-Amp3-AVR-BFT-CLS-DH-DSE-E1-Erpm-ES-FFPM-FH-FIA-FLM-FPM-GALV-h-Hz-LE-LFLS2-MS-ODP-OP-PC-PI-T+-TC-TE-TM2-TP-V-VS-WSFP	360x123x256	3320	72	97

Europower welders with gasoline and diesel engines, 3000rpm, 50Hz, 4 stroke

170 - 400A

Article code	TYPE	Price in EURO (ex. VAT)	Amp.		Max. Ø electrode (mm)	Alternator kVA cont.		Engine (EU Stage)	HP max.	kW max.	cm³	Tank (l)	Cons. @ 75% load (l/h)	Auto-nomy @ 75% load (h)	Version	Dimensions (cm)	kg	dB(A) @ 7m	LWA	
			Alternator	@ 35% d.c.		@ 60% d.c.	1 ~ 230V													
950001904	EP200X1	1690 (S)	200 AC	150 AC	4	5.4	-	Honda GX390 (V)	11.1	8.2	389	6.1	2.4	2.5	A-F-O-R-Th	83x55x60	90	72	97	Gasoline
950002104	EP200X2	1840 (S)	200 DC	140 DC	4	4	-	Honda GX390 (V)	11.1	8.2	389	6.1	2.4	2.5	A-F-O-R-Th	83x55x60	90	72	97	
950002107	EP200X2-25	2235 (S)	200 DC	140 DC	4	4	-	Honda GX390 (V)	11.1	8.2	389	25	2.4	10.4	A-AC-F-FG-h-O-R-TM-V	80x58x63	115	71	96	
950002004	EP200X	1905 (S)	200 DC	150 DC	4	3.5	6.5	Honda GX390 (V)	11.1	8.2	389	6.1	2.4	2.5	B-F-O-R-Th	83x55x60	90	72	97	
950002008	EP200X-25	2305 (S)	200 DC	150 DC	4	3.5	6.5	Honda GX390 (V)	11.1	8.2	389	25	2.4	10.4	B-AC-F-FG-h-O-R-TM-V	80x58x63	115	71	96	
950002605	EP250XE	4110 (S)	250 DC	220 DC	5	3	8	Honda GX630 (V)	19	14	688	20	4.2	4.8	B17-E-F-FI2-FPm-h-O-TM	88x55x72	160	75	*	
950003105	EP300XE	4615 (S)	280 DC	220 DC	6	3	8	Honda GX690 (V)	20	15	688	20	5	4	B17-E-F-FI2-FPm-h-O-TM	88x55x72	164	75	*	
957004005	EP400XE	6830 (S)	350 DC	300 DC	6	4	10	B&S Vanguard 543477 (V)	28	21	895	20	6	3.3	B17-E1-F-FI2-FPm-h-OP-TM	120x64x72	210	77	*	
953011704	EP170DX1	2460 (S)	170 AC	150 AC	4	4.9	-	Yanmar L100V (V)	8.6	6.3	435	5.4	1.8	3	A-F-FG-R-Th	83x55x60	105	80	*	
953011705	EP170DX1E	2900 (S)	170 AC	150 AC	4	4.9	-	Yanmar L100V (V)	8.6	6.3	435	5.4	1.8	3	A-E-F-FG-OL-R-Th	83x55x60	120	80	*	
953011804	EP180DX2	2565 (S)	180 DC	140 DC	4	4	-	Yanmar L100V (V)	8.6	6.3	435	5.4	1.8	3	A-F-FG-R-Th	83x55x60	110	80	*	
953011805	EP180DX2E	3000 (S)	180 DC	140 DC	4	4	-	Yanmar L100V (V)	8.6	6.3	435	5.4	1.8	3	A-E-F-FG-OL-R-Th	83x55x60	120	80	*	
953011904	EP180DX	2625 (S)	180 DC	150 DC	4	3.5	5.5	Yanmar L100V (V)	8.6	6.3	435	5.4	1.8	3	B-F-FG-R-Th	83x55x60	110	80	*	
953011905	EP180DXE	3065 (S)	180 DC	150 DC	4	3.5	5.5	Yanmar L100V (V)	8.6	6.3	435	5.4	1.8	3	B-E-F-FG-OL-R-Th	83x55x60	120	83	*	
955012004	EP200DX1	3080 (S)	200 AC	150 AC	4	5.4	-	Hatz 1B40U-4 (V)	9.7	7.1	462	5	1.9	2.6	A-F-R-Th	83x55x60	105	83	*	
955011505	EP200DX1E	3860 (S)	200 AC	150 AC	4	5.4	-	Hatz 1B40U-4 (V)	9.7	7.1	462	5	1.9	2.6	A-E-F-OP-R-Th	83x55x60	120	83	*	
955012104	EP200DX2	3180 (S)	200 DC	140 DC	4	4	-	Hatz 1B40U-4 (V)	9.7	7.1	462	5	1.9	2.6	A-F-R-Th	83x55x60	110	83	*	
955011405	EP200DX2E	3960 (S)	200 DC	140 DC	4	4	-	Hatz 1B40U-4 (V)	9.7	7.1	462	5	1.9	2.6	A-E-F-OP-R-Th	83x55x60	125	83	*	
955012204	EP220DX	3245 (S)	200 DC	150 DC	4	3.5	6.5	Hatz 1B40U-4 (V)	9.7	7.1	462	5	1.9	2.6	B-F-R-Th	83x55x60	120	83	*	
955011605	EP220DXE	4025 (S)	200 DC	150 DC	4	3.5	6.5	Hatz 1B40U-4 (V)	9.7	7.1	462	5	1.9	2.6	B-E-F-OP-R-Th	83x55x60	135	83	*	
951012305	EPS230DXE	7425 (S)	200 DC	150 DC	4	3.5	6.5	Kubota D722 (NE)	17	12	719	58	2.9	20	B3-E1-ES-FG-FI4-FP-h-LE-MS-ODP-OP-TM-TP-V	138x64x80	350	65	90	Water-cooled
951013005	EPS300DXE	9340 (S)	280 DC	220 DC	6	3	8	Kubota D1105 (NE)	26	19	1123	63	3.5	18	B10-E1-ES-FG-FI4-FP-h-LE-MS-ODP-OP-TM-TP-V	150x64x90	460	67	92	
951014005	EPS400DXE	11570 (S)	400 DC	300 DC	6	4	10	Kubota V1505 (IIIA)	36	27	1498	73	6.1	12	B10-E1-ES-FG-FI4-FP-h-LE-MS-ODP-OP-TM-TP-V	170x74x100	570	68	93	

Generators with * cannot be used outdoors in the EU. For applications of generating sets indoors, or if you want to integrate these generators in vehicles, please contact us.

Europower **standard and EN1 welders** with Honda air-cooled gasoline engine, 3000rpm, 50Hz, 4 stroke

Article code	TYPE	Price in EURO (ex. VAT)	Amp.		Max. Ø electrode (mm)	Alternator kVA cont.		Engine HONDA (EU Stage)	HP max.	kW max.	cm³	Tank (l)	Cons. @75% load (l/h)	Autonomy @75% load (h)	Version	Dimensions (cm)	kg	dB(A) @ 7m	LWA
			Alternator	@35% d.c.		@60% d.c.	1 ~ 230V												
950001904	EP200X1	1690 (S)	200 AC	150 AC	4	5.4	-	GX390 (V)	11.1	8.2	389	6.1	2.4	2.5	A-F-O-R-Th	83x55x60	90	72	97
SA0951894	EP200X1-EN1	1570 (S)	200 AC	150 AC	4	5.4	-	GX390 (V)	11.1	8.2	389	6.1	2.4	2.5	A-F-O-R-Th	83x55x60	90	75	*
950002104	EP200X2	1840 (S)	200 DC	140 DC	4	4	-	GX390 (V)	11.1	8.2	389	6.1	2.4	2.5	A-F-O-R-Th	83x55x60	90	72	97
SA0952094	EP200X2-EN1	1720 (S)	200 DC	140 DC	4	4	-	GX390 (V)	11.1	8.2	389	6.1	2.4	2.5	A-F-O-R-Th	83x55x60	90	75	*
950002004	EP200X	1905 (S)	200 DC	150 DC	4	3.5	6.5	GX390 (V)	11.1	8.2	389	6.1	2.4	2.5	B-F-O-R-Th	83x55x60	90	72	97
SA0951994	EP200X-EN1	1785 (S)	200 DC	150 DC	4	3.5	6.5	GX390 (V)	11.1	8.2	389	6.1	2.4	2.5	B-F-O-R-Th	83x55x60	90	75	*

LWA All generators with LWA value are compliant with all CE-regulations (machine directive, EMC directive, low tension directive, CE-noise level directive 2000/14/EC, European exhaust gas regulation Stage 5). They can be used outdoors in the E.U.

* = Generators compliant with all CE-regulations, except the CE-noise level directive 2000/14/EC.
Generators cannot be used outdoors in the E.U.
For applications of generating sets indoors, or if you want to integrate these generating sets in vehicles, please contact us.

OPTIONS FOR AIR-COOLED GENERATING SETS 3000rpm		Price in EURO (ex. VAT)
Nr.	Description	
1a	4-wheel kit (2 to 16kVA/up to max. 154kg)	72
1b	2-wheel kit (2 to 16kVA/up to max. 154kg)	115
1c	Surcharge for pneumatics per axle for option 1a and 1b	14
2a	2-wheel kit with pneumatic wheels 300mm for EP16000E/EP18000E/EP20000E/EP20000TE/EP22000TE/EP25000TE	195
2b	2-wheel kit with pneumatic wheels 250mm for EPG10000/EPG12000TE/EPG12000E/EPG15000TE	445
3	4-wheel kit with 4 swivel castors of which 2 with locking device (only for EPS models)	185
4a	2 lifting bars (till max. 100kg)	82
4b	2 lifting eyes (only for EPS models)	93
5a	AVR control (automatic voltage regulator) from 3 up to 8kVA	145
5b	AVR control (automatic voltage regulator) from 10 up to 18kVA	255
6	Thermal magnetic protection 1 x 230V	105
7	Thermal magnetic protection 3 x 400V	160
8	Earth leakage protection, type A, 1 x 230V (30mA) (except for EP3300-11)	175
9	Earth leakage protection, type A, 3 x 400V (30mA)	200
10	Earth pin with 4 meter earth-cable 16mm ²	38
11a	Insulation protection "IB-Protector" 230V with thermal magnetic protection	485
11b	Insulation protection Bender IR423-D43-2, 230V, with thermal magnetic protection	890
12a	Insulation protection "IB-Protector" 400V with thermal magnetic protection	530
12b	Insulation protection Bender IR423-D43-2, 400V, with thermal magnetic protection	950
13a	Star-delta switch 20A 230/400V, CEE-socket 4P 16A 230V included (up to 8,5kVA standard types, other types on request)	450
13b	Star-delta switch 32A 230/400V, CEE-socket 4P 32A 230V included (up to 16kVA standard types, other types on request)	570
14	Hour counter	105
15	Voltmeter	105
16	Volt- and ammeter 1 x 230V	180
17	Voltmeter, ammeter and frequency meter 1 x 230V	285
18	Voltmeter with voltmeter switch and 3 ammeters 3 x 400V	435
19	Voltmeter with voltmeter switch, 3 ammeters and frequency meter 3 x 400V	545
20	12 Volt DC (10A) battery charger for generators up to 7kVA / 230V with thermal magnetic protection	140
21	Remote control 5m (Honda petrol engines/electric start) incl. option 25	525
22	Remote control 5m (diesel engines/electric start) incl. option 26	525
23	Remote control, wireless, up to 50m (petrol + diesel engines/electric start) excl. options 25/26	670
24	ECO-throttle (Automatic Idle System) - different types on request	on request
25	Electric choke (for gasoline generators with Honda + B&S Vanguard engine/electric start)	255
26a	Stop solenoid Hatz 1B types diesel/electric start	295
26b	Stop solenoid Yanmar L70/100 diesel/electric start	295
27	Manual switch mains/0/generator 20A 4-poles, in plastic box, not assembled (10kVA 230V / 15kVA 400V)	67
28	Automatic Start/Stop System in case of mains failure (up to 9kVA 230V or 17kVA 400V), with single phase mains control, supplied in TN-S earthing system, including earth leakage protection and thermal magnetic protection, with 3 meter cable, excl. option 25/26 and 30, without standard control panel on generator! See also p.18	1125
29	Automatic Start/Stop System in case of mains failure (up to 16kVA 230V or 31kVA 400V), with single phase mains control, supplied in TN-S earthing system, including earth leakage protection and thermal magnetic protection, with 3 meter cable, excl. option 25/26 and 30, without standard control panel on generator! See also p.18	1430
30	Module "three-phase mains control" for option 28 and 29	215
31	Automatic Start/Stop System via external contact (excl. option 25/26). See also p.18	610
32	Battery controller unit 12V (only to be combined with option 31)	495
33	Automatic Start/Stop System on demand (excl. option 25/26)	1020
34	Oil pan heater 230V	295
35	Kit jerrycan 20 liter with carrier frame and membrane pump (GX270/390)	335
36	Large tank (stainless steel) 11 liter (GX160/200) - 20 liter (GX270/390) in frame	355
37	Flexible exhaust tube 2m (adapter for muffler included)	100
40	Welding cables 25mm ² (2 x 5m) for AC welding generators	110
41	Welding cables 35mm ² (2 x 5m) for DC welding generators up to 250A	130
42	Welding cables 50mm ² (2 x 10m) for DC welding generators up to 300A	245
43	Protection cover (red / up to 16kVA, standard types, open frame)	on request
44	Oil drain pump (only for EPS models)	200
45	Europower sirometer (mechanical revolution counter / frequency meter) for after sales service	16
46	T-shirt Europower	6

Other options on request

OPTIONS FOR WATER-COOLED GENERATING SETS WITH KUBOTA ENGINE		Price in EURO (ex. VAT)
Nr.	Description	
100	Trailer for New Boy EPS73DE/EP83TDE/EP103DE/EP113TDE/EP230DXE (single axle, unbraked)	1185
101	Braked trailer for EP183TDE/EP300DXE/EP243TDE/EP400DXE/EP14TDE/EP20TDE/EP20TDE (single axle)	2260
102a	Braked trailer for EP20TDE/EP34TDE/EP44TDE (twin-axle)	2525
102b	Braked trailer for EP34TDE/EP44TDE (twin-axle)	2835
103	4-wheel kit for generating sets New Boy	425
104	Forklift kit for generating sets from 7 till 44kVA	115
105a	Large tank for New Boy with Z482 (53 liter) / D722 + D902 (58 liter) engine	150
105b	Large fuel tank, 150 Liter, banded, for EP8DE/EP9TDE/EP163DE/EP183TDE/EP300DXE	1710
105c	Large fuel tank, 400 Liter, banded, for all "EPS" TYPES till 44kVA	2515
105d	258 Liter fuel tank (72h at full load) for EP11-3TDE	970
105e	368 Liter fuel tank (72h at full load) for EP20TDE	1175
105f	732 Liter fuel tank (72h at full load) for EP34TDE / EP44TDE / EP20TDE	1380
106a	Three-way cocks for connection to external fuel tank, quick couplings included	375
106b	Stronger fuel pump (12V DC) for option 106a	275
107a	Minimum fuel level switch with control lamp	88
107b	Liquid level switch (alarm) in chassis (bund) for EP11-3TDE, EP20TDE/EP34TDE/EP44TDE	98
108a	Leroy Somer LSA40 and LSA42.3 alternator protection "system 4" for severe industrial environment, marine environment and coastal area without projections, relative humidity > 95% (for EP(S)(R)20/34/44TDE)	310
108b	Leroy Somer LSA40 and LSA42.3 alternator protection "system 6" for corrosive industrial environment, marine environment and coastal area with projections, relative humidity > 95% (for EP(S)(R)20/34/44TDE)	1020
108c	Glass fiber winding (25% derate) for LSA40 and LSA42.3	on request
109	Battery charger DSE9150 12V 3A (including 230V male socket in control panel) for EP11-3TDE, EP20TDE/EP34TDE/EP44TDE	170
110	Battery on/off switch	205
111a	Insulation protection "IB-Protector"	430
111b	Insulation protection Bender IR423-D43-2	655
111c	Insulation protection Bender ISORW425-D4W-4 (for sensitive equipment with frequency-controlled drives)	1400
111d	Sensitive residual current monitor (up to 24kVA): earth leakage protection, type B, 40A, 30mA, 4P (183004440)	425
111e	Sensitive residual current monitor (up to 40kVA): earth leakage protection, type B, 63A, 30mA, 4P (183004463)	785
112	Ammeter	57
113	Frequency meter	96
114	Voltmeter switch	105
115	Remote control 5m (all types till 24kVA)	275
116	Remote control for EP30DE/EP34TDE/EP44TDE/EP11-3TDE/EP20TDE/EP34TDE/EP44TDE, cable not included	60
117a	Remote control, wireless, till 50m (all types till 24kVA)	670
117b	Remote control, wireless, till 50m (for EP30DE/EP34TDE/EP44TDE/EP11-3TDE/EP20TDE/EP34TDE/EP44TDE)	250
118	Star-delta switch 32A 230/400V (up to 14kVA), CEE-socket 32A 4p 230V included	570
119	Star-delta switch 63A 230/400V (up to 24kVA), CEE-socket 63A 4p 230V included	845
120	ECO-throttle (Automatic Idle System) - different types on request	on request
121a	Manual switch mains/0/generator 32A 4-poles, in plastic box, not assembled	125
121b	Manual switch mains/0/generator 63A 4-poles, in plastic box, not assembled	245
121c	Manual switch mains/0/generator 100A 4-poles, in plastic box, not assembled	435
123	Automatic Start/Stop System in case of mains failure (up to 9kVA 230V or 17kVA 400V), with single phase mains control, supplied in TN-S earthing system, including earth leakage protection and thermal magnetic protection, with 3 meter cable, excl. option 130, without standard control panel on generator! See also p.18	1125
124	Automatic Start/Stop System in case of mains failure (up to 16kVA 230V or 31kVA 400V), with single phase mains control, supplied in TN-S earthing system, including earth leakage protection and thermal magnetic protection, with 3 meter cable, excl. option 130, without standard control panel on generator! See also p.18	1430
125	Automatic Start/Stop System in case of mains failure (up to 22kVA 230V or 42kVA 400V), with single phase mains control, supplied in TN-S earthing system, including earth leakage protection and thermal magnetic protection, with 3 meter cable, excl. option 130, without standard control panel on generator! See also p.18	1590
126	Automatic Start/Stop System in case of mains failure (up to 46kVA 230V or 87kVA 400V), with single phase mains control, supplied in TN-S earthing system, including earth leakage protection and thermal magnetic protection, with 3 meter cable, excl. option 130, without standard control panel on generator! See also p.18	2110
127	Remote monitoring (web-based control) by DSE890 for laptop / PC / smart phone / tablet (for EP30DE/EP34TDE/EP44TDE/EP11-3TDE/EP20TDE/EP34TDE/EP44TDE)	760
128	GSM/GPS 4G antenna for option 127	145
130	Module "three-phase mains control" for option 123, 124, 125 and 126	215
131a	Automatic Start/Stop System with PDM1 or DSE3110 via external contact. See also p.18	610
131b	Automatic Start/Stop System with DSE4520 via external contact.	755
132	Battery controller unit 12V (only to be combined with option 131)	495
133	Automatic Start/Stop System on demand	1020
134	Oil pan heater 230V	305
135	Coolant heater for generating sets with Z482/D722/D902/D1105/V1505/D1703/V2203/V3300/V3800DIT engine	335
136a	Minimum water level switch for coolant expansion tank	105
136b	Minimum level switch for radiator coolant	225
136c	Automatic engine oil level maintainer (Murphy LM500-TF), oil tank included (for EP20TDE/ EP34TDE/EP44TDE)	1355
137	Spark arrestors (ATEX approved or Non-ATEX approved)	on request
138	Chalwyn valve (air intake shut down valve)	on request
139	Welding cables 35mm ² (2 x 5m) for welder EP230DXE	130
140	Welding cables 50mm ² (2 x 10m) for welder EP230DXE, EP300DXE and EP400DXE	245
141a	Special RAL color for EPS / EP34TDE / EP44TDE versions (silenced)	230
141b	Extra epoxy primer coating before polyester final coating, for EPS / EP34TDE / EP44TDE versions (silenced)	on request

Other options on request

OPTIONS FOR EP OPEN WATER-COOLED GENERATING SETS WITH IVECO / VOLVO ENGINE			Price in EURO (ex. VAT)
Nr.	Description		
301a	Leroy Somer LSA44.3 alternator protection "system 4" for severe industrial environment, marine environment and coastal area without projections, relative humidity > 95% (for EP85/100/130/150TDE)		310
301b	Leroy Somer LSA46.2 alternator protection "system 4" for severe industrial environment, marine environment and coastal area without projections, relative humidity > 95% (for EP180/200/250/275/325TDE)		575
302a	Leroy Somer LSA44.3 alternator protection "system 6" for corrosive industrial environment, marine environment and coastal area with projections, relative humidity > 95% (for EP85/100/130/150TDE)		1020
302b	Leroy Somer LSA46.2 alternator protection "system 6" for corrosive industrial environment, marine environment and coastal area with projections, relative humidity > 95% (for EP180/200/250/275/325TDE)		1600
303	Glass fiber winding (25% derate) for LSA44.3 and LSA46.2		on request
304a	Anti-condensation resistor / space heater in LSA44.3 alternator (for EP85/100/130/150TDE)		260
304b	Anti-condensation resistor / space heater in LSA46.2 alternator (for EP180/200/250/275/325TDE)		270
305	60Hz version		on request
306	Viscous fan clutch for EP180/200/250TDE-3A (variable fan speed depending on coolant temperature)		2020
307a	Electronic speed governor "GAC" for EP60TDE		1395
307b	Electronic speed governor "EDC4" for EP85TDE/EP100TDE/EP150TDE (Stage 2)		755
308a	24V starting system for EP85TDE / EP100TDE / EP130TDE / EP150TDE (Stage 2)		375
308b	12V starting system for EP180TDE / EP200TDE (Stage 2)		98
309	Remote control, wireless, up to 50m		250
210	Forklift kit (2 pockets) for open type generating sets from 60 till 325kVA		150
211	Lifting eyes		on request
312a	Price reduction for version without fuel tank		on request
212b1	Fuel tank 535 litres for EP315/410TDE		1005
212b2	Fuel tank 722 litres for EP500/600TDE		1110
312b3	Larger fuel tanks		on request
312c	Automatic fuel tank filling system (from external fuel tank)		on request
313	Three-way cocks for connection to external fuel tank, with quick couplings		375
214	Automatic engine oil level maintainer (Murphy LM500-TF)		on request
315a	Battery charger DSE9150 12V 3A (including 230V male socket in control panel)		170
315b	Battery charger DSE9255 24V 5A (including 230V male socket in control panel)		225
216	Low fuel level switch		78
317	Battery on/off switch		205
218	Earth leakage protection, type A (30-350mA / 0-10s.)		230
220	Electric fuel level meter (analogue instrument) with sensor		115
221	Electric cooling water temperature meter (analogue instrument) with sensor		120
222	Electric oil pressure meter (analogue instrument) with sensor		160
323a	Manual switch mains/0/generator 160A 4-poles, in metal box, not assembled		585
323c	Manual switch mains/0/generator 250A 4-poles, in metal box, not assembled		775
323e	Manual switch mains/0/generator 400A 4-poles, in metal box, not assembled		925
323g	Manual switch mains/0/generator 800A 4-poles, in metal box, not assembled		1905
324a	External ATS-panel with motor operated 1-0-2 switch, 87kVA/125A/400V, with DSE4520 and battery charger. With earth leakage protection and thermal magnetic protection in blind panel on the generator. Without cables between ATS-panel and generator.		1715
324b	External ATS-panel with motor operated 1-0-2 switch, 111kVA/160A/400V, with DSE4520 and battery charger. With earth leakage protection and thermal magnetic protection in blind panel on the generator. Without cables between ATS-panel and generator.		1930
324d	External ATS-panel with motor operated 1-0-2 switch, 173kVA/250A/400V, with DSE4520 and battery charger. With earth leakage protection and thermal magnetic protection in blind panel on the generator. Without cables between ATS-panel and generator.		2195
324e	External ATS-panel with motor operated 1-0-2 switch, 277kVA/400A/400V, with DSE4520 and battery charger. With earth leakage protection and thermal magnetic protection in blind panel on the generator. Without cables between ATS-panel and generator.		2550
324f	External ATS-panel with motor operated 1-0-2 switch, 436kVA/630A/400V, with DSE4520 and battery charger. With earth leakage protection and thermal magnetic protection in blind panel on the generator. Without cables between ATS-panel and generator.		on request
324g	External ATS-panel with motor operated 1-0-2 switch, 554kVA/800A/400V, with DSE4520 and battery charger. With earth leakage protection and thermal magnetic protection in blind panel on the generator. Without cables between ATS-panel and generator.		on request
324h	External ATS-panel with motor operated 1-0-2 switch, 692kVA/1000A/400V, with DSE4520 and battery charger. With earth leakage protection and thermal magnetic protection in blind panel on the generator. Without cables between ATS-panel and generator.		on request
325a	Remote monitoring (web-based control) by DSE890 for laptop / PC / Smart Phone / Tablet		760
325b	GSM/GPS 4G antenna for option 225a		145
326	Parallel operation for generators, with or without mains		on request
327	Air intake preheating 12V or 24V/3kW for Volvo engines TAD5xx/7xx/13xx/16xxGE		510
328	Oil pan heater 230V		295
NEW 329	Coolant heater 230V/1500W (with 12V thermostat) for generating sets with Iveco NEF N45SM1 engines		705
329a	Coolant heater 230V/600W (with 12V thermostat) for generating sets with Volvo engines TAD530-733GE		465
329b	Coolant heater 230V/600W (with 24V thermostat) for generating sets with Volvo engines TAD5x0-7x3GE		475
329c	Coolant heater 230V/600W (with thermostat) for generating sets with Volvo engines TAD7x4GE		360
330	Fuel filter heater 12V or 24V (with thermostat)		on request
231	Exhaust flexible pipes		on request
332a	Spark arrestors (ATEX approved or Non-ATEX approved)		on request
332b	Chalwyn valve (air intake shut down valve)		on request
234	Special RAL color for EP versions		230
335	Spare parts kits		on request

Other options on request

OPTIONS FOR EPS SILENT WATER-COOLED GENERATING SETS WITH IVECO / VOLVO ENGINE			Price in EURO (ex. VAT)
Nr.	Description		
	301a	Leroy Somer LSA44.3 alternator protection "system 4" for severe industrial environment, marine outside and coastal area without projections, relative humidity > 95% (for EPS85/100/130/150TDE)	310
	301b	Leroy Somer LSA46.2 alternator protection "system 4" for severe industrial environment, marine outside and coastal area without projections, relative humidity > 95% (for EPS180/200/250TDE)	575
	302a	Leroy Somer LSA44.3 alternator protection "system 6" for corrosive industrial environment, marine environment and coastal area with projections, relative humidity > 95% (for EPS85/100/130/150TDE)	1020
	302b	Leroy Somer LSA46.2 alternator protection "system 6" for corrosive industrial environment, marine environment and coastal area with projections, relative humidity > 95% (for EPS180/200/250TDE)	1600
	303	Glass fiber winding (25% derate) for LSA44.3 and LSA46.2	on request
	304a	Anti-condensation resistor / space heater in LSA44.3 alternator (for EPS85/100/130/150TDE)	260
	304b	Anti-condensation resistor / space heater in LSA46.2 alternator (for EPS180/200/250TDE)	270
	305	60Hz version	on request
	306	Viscous fan clutch for EPS180/200/250TDE-3A (variable fan speed depending on coolant temperature)	2020
	307a	Electronic speed governor "GAC" for EPS60TDE	1395
	307b	Electronic speed governor "EDC4" for EPS85TDE / EPS100TDE / EPS130TDE / EPS150TDE (Stage 2)	755
	308a	24V starting system for EPS85TDE / EPS100TDE / EPS130TDE / EPS150TDE (Stage 2)	375
	308b	12V starting system for EPS180TDE / EPS200TDE (Stage 2)	98
	309	Remote control, wireless, up to 50m	250
	310	Forklift kit (4 pockets) for EPS generating sets from 60 till 250kVA	375
	311	Liquid level switch (alarm) in chassis (bund)	98
	312a	Price reduction for version without fuel tank	on request
	312b3	Larger fuel tanks	on request
	312c	Automatic fuel tank filling system (from external fuel tank)	on request
	313	Three-way cocks for connection to external fuel tank, with quick couplings	375
	314	Automatic engine oil level maintainer (Murphy LM500-TF), oil tank included	1355
	315a	Battery charger DSE9150 12V 3A (including 230V male socket in control panel)	170
	315b	Battery charger DSE9255 24V 5A (including 230V male socket in control panel)	225
	317	Battery on/off switch	205
	318a	Sensitive residual current monitor: earth leakage protection, type B, Bender RCMA423-D-2 (with measuring current transformer) for 100kVA	1055
	318b	Sensitive residual current monitor: earth leakage protection, type B, Bender RCMA423-D-2 (with measuring current transformer) for 250kVA	1190
	318c	Sensitive residual current monitor: earth leakage protection, type B, Bender RCMA423-D-2 (with measuring current transformer) for 600kVA	1645
	319a	Insulation protection Bender IR423-D43-2	315
NEW	319b	Insulation protection Bender ISORW425-D4W-4 (for sensitive equipment with frequency-controlled drives)	945
	321	Electric cooling water temperature meter (analogue instrument) with sensor	120
	322	Electric oil pressure meter (analogue instrument) with sensor	160
	323a	Manual switch mains/0/generator 160A 4-poles, in metal box, not assembled	585
	323c	Manual switch mains/0/generator 250A 4-poles, in metal box, not assembled	775
	323e	Manual switch mains/0/generator 400A 4-poles, in metal box, not assembled	925
	323g	Manual switch mains/0/generator 800A 4-poles, in metal box, not assembled	1905
	324	Automatic Start/Stop System in case of mains failure (up to EPS250TDE) integrated in generator instead of the standard control panel	on request
	324a	External ATS-panel with motor operated 1-0-2 switch, 87kVA/125A/400V, with DSE4520 and battery charger. With earth leakage protection and thermal magnetic protection in blind panel on the generator. Without cables between ATS-panel and generator.	1715
	324b	External ATS-panel with motor operated 1-0-2 switch, 111kVA/160A/400V, with DSE4520 and battery charger. With earth leakage protection and thermal magnetic protection in blind panel on the generator. Without cables between ATS-panel and generator.	1930
	324d	External ATS-panel with motor operated 1-0-2 switch, 173kVA/250A/400V, with DSE4520 and battery charger. With earth leakage protection and thermal magnetic protection in blind panel on the generator. Without cables between ATS-panel and generator.	2195
	324e	External ATS-panel with motor operated 1-0-2 switch, 277kVA/400A/400V, with DSE4520 and battery charger. With earth leakage protection and thermal magnetic protection in blind panel on the generator. Without cables between ATS-panel and generator.	2550
	324f	External ATS-panel with motor operated 1-0-2 switch, 436kVA/630A/400V, with DSE4520 and battery charger. With earth leakage protection and thermal magnetic protection in blind panel on the generator. Without cables between ATS-panel and generator.	on request
	324g	External ATS-panel with motor operated 1-0-2 switch, 554kVA/800A/400V, with DSE4520 and battery charger. With earth leakage protection and thermal magnetic protection in blind panel on the generator. Without cables between ATS-panel and generator.	on request
	324h	External ATS-panel with motor operated 1-0-2 switch, 692kVA/1000A/400V, with DSE4520 and battery charger. With earth leakage protection and thermal magnetic protection in blind panel on the generator. Without cables between ATS-panel and generator.	on request
	325a	Remote monitoring (web-based control) by DSE890 for laptop / PC / Smart Phone / Tablet	760
	325b	GSM/GPS 4G antenna for option 325a	145
	326	Parallel operation for generators, with or without mains	on request
	327	Air intake preheating 12V or 24V/3kW for Volvo engines TAD5xx/7xx/13xx/16xxGE	510
	328	Oil pan heater 230V	295
NEW	329	Coolant heater 230V/1500W (with 12V thermostat) for generating sets with Iveco NEF N45SM1 engines	705
	329a	Coolant heater 230V/600W (with 12V thermostat) for generating sets with Volvo engines TAD530-733GE	465
	329b	Coolant heater 230V/600W (with 24V thermostat) for generating sets with Volvo engines TAD530-733GE	475
	329c	Coolant heater 230V/600W (with thermostat) for generating sets with Volvo engines TAD734GE	360
	330	Fuel filter heater 12V or 24V (with thermostat)	on request
	332a	Spark arrestors (ATEX approved or Non-ATEX approved)	on request
	332b	Chalwyn valve (air intake shut down valve)	on request
	334a	Special RAL color for EPS versions	230
	334b	Extra epoxy primer coating before polyester final coating, for EPS / EPSR versions (silenced)	on request
	335	Spare parts kits	on request

Other options on request

OPTIONS FOR EPSR SILENT RENTAL WATER-COOLED GENERATING SETS WITH IVECO / VOLVO ENGINE		Price in EURO (ex. VAT)
Nr.	Description	
	301a Leroy Somer LSA44.3 alternator protection "system 4" for severe industrial environment, marine outside and coastal area without projections, relative humidity > 95% (for EPSR85/100/130/150TDE)	310
	301b Leroy Somer LSA46.2 alternator protection "system 4" for severe industrial environment, marine outside and coastal area without projections, relative humidity > 95% (for EPSR180/200/250TDE)	575
	302a Leroy Somer LSA44.3 alternator protection "system 6" for corrosive industrial environment, marine environment and coastal area with projections, relative humidity > 95% (for EPSR85/100/130/150TDE)	1020
	302b Leroy Somer LSA46.2 alternator protection "system 6" for corrosive industrial environment, marine environment and coastal area with projections, relative humidity > 95% (for EPSR180/200/250TDE)	1600
	303 Glass fiber winding (25% derate) for LSA44.3 and LSA46.2	on request
	304a Anti-condensation resistor / space heater in LSA44.3 alternator (for EPSR85/100/130/150TDE)	260
	304b Anti-condensation resistor / space heater in LSA46.2 alternator (for EPSR180/200/250TDE)	270
	305 60Hz version	on request
	306 Viscous fan clutch for EPSR180/200/250TDE-3A (variable fan speed depending on coolant temperature)	2020
	307a Electronic speed governor "GAC" for EPSR60TDE	1395
	307b Electronic speed governor "EDC4" for EPSR85TDE / EPSR100TDE / EPSR130TDE / EPSR150TDE (Stage 2)	755
	308a 24V starting system for EPSR85TDE / EPSR100TDE / EPSR130TDE / EPSR150TDE (Stage 2)	375
	308b 12V starting system for EPSR180TDE / EPSR200TDE (Stage 2)	98
	309 Remote control, wireless, up to 50m	250
	311 Liquid level switch (alarm) in chassis (bund)	98
	312a Price reduction for version without fuel tank	on request
	312b3 Larger fuel tanks	on request
	312c Automatic fuel tank filling system (from external fuel tank)	on request
	313 Three-way cocks for connection to external fuel tank, with quick couplings	375
	314 Automatic engine oil level maintainer (Murphy LM500-TF), oil tank included	1355
	315a Battery charger DSE9150 12V 3A (including 230V male socket in control panel)	170
	315b Battery charger DSE9255 24V 5A (including 230V male socket in control panel)	225
	317 Battery on/off switch	205
	318a Sensitive residual current monitor: earth leakage protection, type B, Bender RCMA423-D-2 (with measuring current transformer) for 100kVA	1055
	318b Sensitive residual current monitor: earth leakage protection, type B, Bender RCMA423-D-2 (with measuring current transformer) for 250kVA	1190
	318c Sensitive residual current monitor: earth leakage protection, type B, Bender RCMA423-D-2 (with measuring current transformer) for 600kVA	1645
	319a Insulation protection Bender IR423-D43-2	315
NEW	319b Insulation protection Bender ISORW425-D4W-4 (for sensitive equipment with frequency-controlled drives)	945
	321 Electric cooling water temperature meter (analogue instrument) with sensor	120
	322 Electric oil pressure meter (analogue instrument) with sensor	160
	323a Manual switch mains/0/generator 160A 4-poles, in metal box, not assembled	585
	323c Manual switch mains/0/generator 250A 4-poles, in metal box, not assembled	775
	323e Manual switch mains/0/generator 400A 4-poles, in metal box, not assembled	925
	323g Manual switch mains/0/generator 800A 4-poles, in metal box, not assembled	1905
	324 Automatic Start/Stop System in case of mains failure (up to EPSR250TDE) integrated in generator instead of the standard control panel	on request
	424a External ATS-panel with motor operated 1-0-2 switch, 87kVA/125A/400V, with DSE4520 and battery charger. With earth leakage protection and thermal magnetic protection in blind panel on the generator. Without cables between ATS-panel and generator.	1255
	424b External ATS-panel with motor operated 1-0-2 switch, 111kVA/160A/400V, with DSE4520 and battery charger. With earth leakage protection and thermal magnetic protection in blind panel on the generator. Without cables between ATS-panel and generator.	1450
	424d External ATS-panel with motor operated 1-0-2 switch, 173kVA/250A/400V, with DSE4520 and battery charger. With earth leakage protection and thermal magnetic protection in blind panel on the generator. Without cables between ATS-panel and generator.	1850
	424e External ATS-panel with motor operated 1-0-2 switch, 277kVA/400A/400V, with DSE4520 and battery charger. With earth leakage protection and thermal magnetic protection in blind panel on the generator. Without cables between ATS-panel and generator.	2250
	325a Remote monitoring (web-based control) by DSE890 for laptop / PC / Smart Phone / Tablet	760
	325b GSM/GPS 4G antenna for option 425a	145
	326 Parallel operation for generators, with or without mains	on request
	327 Air intake preheating 12V or 24V/3kW for Volvo engines TAD5xx/7xx/13xx/16xxGE	510
	328 Oil pan heater 230V	295
NEW	329 Coolant heater 230V/1500W (with 12V thermostat) for generating sets with Iveco NEF N45SM1 engines	705
	329a Coolant heater 230V/600W (with 12V thermostat) for generating sets with Volvo engines TAD530-733GE	465
	329b Coolant heater 230V/600W (with 24V thermostat) for generating sets with Volvo engines TAD530-733GE	475
	329c Coolant heater 230V/600W (with thermostat) for generating sets with Volvo engines TAD734GE	360
	330 Fuel filter heater 12V or 24V (with thermostat)	on request
	332a Spark arrestors (ATEX approved or Non-ATEX approved)	on request
	332b Chalwyn valve (air intake shut down valve)	on request
	434a Special RAL color for EPSR versions	230
	434b Extra epoxy primer coating before polyester final coating, for EPS / EPSR versions (silenced)	on request
	335 Spare parts kits	on request

Other options on request

Combinations with automatic start / stop systems in case of mains failure (ASSS) or start on external contact (PDM1/DSE3110)

TYPE	Page in doc.	Price in EURO (ex. VAT)				
		Standard	ASSS incl.	PDM1/DSE3110 incl.		
EP2500E H/S	17	1125	2195	1740	<p style="text-align: center;"><u>Gasoline (Honda + B&S Vanguard) / Standard</u></p>	
EP4100E H/S	17	1420	2490	2035		
EP6000E H/S	17	1665	2735	2280		
EP6500TE H/S	17	1840	2910	2455		
EP10000E H/MA	17	2880	3790	3495		
EP12000E H/S	17	3290	4210	3905		
EP13500TE H/S	17	2955	3865	3570		
EP16000E VG/S	17	5780	6740	6435		
EP16000TE H/S	17	3395	4305	4010		
EP20000TE VG/S	17	5675	6635	6330		
EP6000E-25 H/S	19	2005	2910	2520		<p style="text-align: center;"><u>Gasoline (Honda) / Semi-silent</u></p>
EP6500TE-25 H/S	19	2260	3165	2775		
EP6000DE Y/S	21	2520	3565	3110		<p style="text-align: center;"><u>Diesel (Yanmar + Hatz) / Standard</u></p>
EP6000DE HA/S	21	3570	4495	4015		
EP6000TDE Y/S	21	2685	3730	3275		
EP7000TDE HA/S	21	3740	4660	4180		
EPS6000E H/S	23	3990	4625	4330	<p style="text-align: center;"><u>Gasoline (Honda) / Super-silent</u></p>	
EPS6500TE H/S	23	4095	4730	4435		
EPS10000E H/MA	23	4630	5315	5120		
EPS12000E H/S	23	5650	6445	6140		
EPS12000TE H/MA	23	4890	5675	5380		
EPS15000TE H/S	23	5760	6545	6250		
EPS5500DE Y/S	23	5035	5670	5325	<p style="text-align: center;"><u>Diesel (Yanmar + Hatz) / Super-silent</u></p>	
EPS6000DE HA/S	23	5685	6320	5975		
EPS6000TDE Y/S	23	5175	5810	5465		
EPS7000TDE HA/S	23	5875	6510	6165		
EPS73DE KU/S	27	6585	7220	6975	<p style="text-align: center;"><u>Diesel (Kubota) water-cooled 3000rpm / New Boy</u></p>	
EPS83TDE KU/S	27	6685	7320	7075		
EPS103DE KU/MA	27	6995	7630	7385		
EPS113TDE KU/S	27	6990	7625	7380		
EPS123DE KU/S	27	7515	8160	7905		
EPS133TDE KU/S	27	7495	8130	7885		
EPS183TDE KU/MA	27	8845	9410	9165	<p style="text-align: center;"><u>Diesel (Kubota) water-cooled 3000rpm / Super-silent</u></p>	
EPS243TDE KU/MA	27	10530	11105	10850		
EPS9TDE KU/MA	29	8735	9305	9055	<p style="text-align: center;"><u>Diesel (Kubota) water-cooled 1500rpm / Super-silent</u></p>	
EPS14TDE KU/LS	29	10725	11295	11045		
EPS20TDE KU/LS	29	12145	12725	12465		
EPS34TDE KU/LS	29	15765	16345	Standard		
EPS44TDE KU/LS	29	18350	19385	Standard		

Autom. Start Stop System in case of mains failure (ASSS)



Autom. start system on external contact (PDM1 / DSE3110)



ASSS= Automatic Start/Stop System in case of mains failure, with single phase mains control, supplied in TN-S earthing system, including earth leakage protection and thermal magnetic protection, with 3 meter cable, aut.choke / stop solenoid included

REMARK: no standard control panel on generator (with ASSS). See also pages 13/14.

PDM1/DSE3110 = Automatic Start/Stop System on external contact, aut. choke / stop solenoid included

Europower generating sets with **asynchronous Soga** or **synchronous Soga/GTS** alternator, protection **IP54**, 3000rpm, 50Hz, 4 stroke**IP54**

Article code	TYPE	Price in EURO (ex. VAT)	kVA max.	kVA cont.	Amp.		Engine HONDA (EU Stage)	HP max.	kW max.	cm ³	Tank (l)	Cons. @ 75% load (l/h)	Auto- nomy @ 75% load (h)	Version	Dimensions (cm)	kg	dB(A) @ 7m	LWA
		Alternator			1 ~ 230V	3 ~ 400V												
400012012	EP3000-IP54	1230 (Soga)	3	2.7	11.7	-	GX200 (V)	5.2	3.8	196	3.1	1.3	2.4	A-F-O-R-TM	65x42x48	52	70	95
400012013	EP3500-IP54	1520 (Soga)	3.5	3.2	13.9	-	GX270 (V)	7.9	5.8	270	5.3	2	2.7	A-F-O-R-TM	67x51x56	64	71	96
SA380	EP6000-IP54	2205 (So)	6	5.5	24	-	GX390 (V)	11.1	8.2	389	6.1	2.4	2.5	A-AVR-F-O-R-TM	77x51x56	93	72	97
SA448	EP8000T-IP54	2230 (So)	8	7.5	20	10.8	GX390 (V)	11.1	8.2	389	6.1	2.4	2.5	B-AVR-F-O-R-TM	77x51x56	96	72	97
SA479	EP12000TE-IP54	3475 (So)	12.5	11	17	16	GX630 (V)	19	14	688	20	4.2	4.8	B-AVR-E-F-FPm-h-O-TM	102x55x60	148	75	*

Europower **60Hz** generating sets, **3600rpm****60Hz**

Article code	TYPE	Price in EURO (ex. VAT)	kVA max. (60Hz)	kVA cont.	Amp.	Volt	Engine HONDA (EU Stage)	HP max.	kW max.	cm ³	Tank (l)	Cons. @ 75% load (l/h)	Auto- nomy @ 75% load (h)	Version	Dimensions (cm)	kg	dB(A) @ 7m	LWA
		Alternator																
SA177	EP2700-60	640 (S)	2.7	2.4	10.4	230	GX160 (V)	4.9	3.6	163	3.1	1.2	2.6	A-F-O-R-Th	58x42x44	37	73	*
SA077	EP3700-60	775 (S)	3.7	3.4	14.8	230	GX200 (V)	5.8	4.3	196	3.1	1.6	1.9	A-F-O-R-Th	58x42x44	42	73	*
SA267	EP4800-60	1050 (S)	4.8	4.3	19	230	GX270 (V)	8.6	6.3	270	5.3	2.4	2.2	A-F-O-R-Th	77x51x56	65	74	*
SA178	EP7200-60	1420 (S)	7.2	6.5	28	230	GX390 (V)	11.8	8.7	389	6.1	2.9	2.1	A-F-O-R-Th	83x51x56	72	78	*

Generators with * cannot be used outdoors in the EU. For applications of generating sets indoors, or if you want to integrate these generators in vehicles, please contact us.

Europower generating sets according to "BG BAU" and "DGUV - Class B", with **synchronous SOGA or GTS** alternator, protection **IP54**, with insulation protection according to "GW661", 3000rpm, 50Hz, 4 stroke**IP54**

Article code	TYPE	Price in EURO (ex. VAT)	kVA max.	kVA cont.	Amp.		Engine (EU Stage)	HP max.	kW max.	cm³	Tank (l)	Cons. @75% load (l/h)	Auto- nomy @ 75% load (h)	Version	Dimensions (cm)	kg	dB(A) @ 7m	LWA
		Alternator			1 ~ 230V	3 ~ 400V												
950810400	EP4054	2640 (So)	4	3.6	16	-	Honda GX270 (V)	7.9	5.8	270	5.3	2	2.7	A-AVR-F-FI2-IB-LE-LH-O-R-TM	77x51x56	96	71	96
950810401	EP4054E	3120 (So)	4	3.6	16	-	Honda GX270 (V)	7.9	5.8	270	5.3	2	2.7	A-AVR-E-F-FI2-IB-LE-LH-O-R-TM	83x51x56	93	71	96
950810600	EP6054	3005 (So)	6	5.4	23	-	Honda GX390 (V)	11.1	8.2	389	6.1	2.4	2.5	A-AVR-F-FI2-IB-LE-LH-O-R-TM	77x51x56	96	72	97
950810601	EP6054E	3415 (So)	6	5.4	23	-	Honda GX390 (V)	11.1	8.2	389	6.1	2.4	2.5	A-AVR-E-F-FI2-IB-LE-LH-O-R-TM	83x51x56	108	72	97
950810802	EP8054T	3105 (So)	8	7.5	20	10.8	Honda GX390 (V)	11.1	8.2	389	6.1	2.4	2.5	B7-AVR-F-FI2-IB-LE-LH-O-R-TM	77x51x56	99	72	97
950810803	EP8054TE	3515 (So)	8	7.5	20	10.8	Honda GX390 (V)	11.1	8.2	389	6.1	2.4	2.5	B7-AVR-E-F-FI2-IB-LE-LH-O-R-TM	83x51x56	122	72	97
950810608	EP6054-25	3530 (So)	6	5.4	23	-	Honda GX390 (V)	11.1	8.2	389	25	2.4	10.4	A-AC-AVR-F-FG-FI2-h-IB-LE-LH-O-R-TM-V	80x58x63	110	71	96
950810609	EP6054E-25	3760 (So)	6	5.4	23	-	Honda GX390 (V)	11.1	8.2	389	25	2.4	10.4	A-AC-AVR-E-F-FG-FI2-h-IB-LE-LH-O-R-TM-V	80x58x63	122	71	96
950810808	EP8054T-25	3640 (So)	8	7.5	20	10.8	Honda GX390 (V)	11.1	8.2	389	25	2.4	10.4	B7-AC-AVR-F-FG-FI2-h-IB-LE-LH-O-R-TM-V	80x58x63	113	71	96
950810809	EP8054TE-25	3870 (So)	8	7.5	20	10.8	Honda GX390 (V)	11.1	8.2	389	25	2.4	10.4	B7-AC-AVR-E-F-FG-FI2-h-IB-LE-LH-O-R-TM-V	80x58x63	125	71	96
940011503	EP15054TE	5515 (GTS)	15	14.4	16	21	Honda GX690 (V)	20	15	688	20	5	4	B18-AIS-AVR-E-F-FI2-FPm-h-IB-LE-LH-O-TM	102x55x60	155	75	*
940011508	EPG15054TE	6520 (GTS)	15	11	16	16	Honda GX690 (V)	20	15	688	20	5	4	B18-AIS-AVR-E-F-FI2-FPm-h-IB-LE-LH-O-TM	88x64x70	199	71	96
940011513	EPS15054TE	7420 (GTS)	15	12.5	32	18	Honda GX690 (V)	20	15	688	20	5	4	B6-AVR-E-EC-FI2-FPm-h-IB-LE-LH-O-TM-TP-V	138x78x67	245	69	94
947011803	EP20054TE	7290 (GTS)	20	18	32	26	B&S Vanguard 543477 (V)	28	21	895	41	7	5.9	B4-AVR-E1-F-FG-FI2-FPm-h-IB-LE-LH-OP-TM-V	100x64x72	215	79	*

Europower generating sets according to **DIN14685** with brushless **synchronous** alternator, **AVR, IP54, 3000rpm, 50Hz, 4 stroke**

Article code	TYPE	Price in EURO (ex. VAT)	kVA max.	kVA cont.	Amp.		Engine B&S / HONDA (EU Stage)	HP max.	kW max.	cm ³	Tank (l)	Cons. @ 75% load (l/h)	Autonomy @ 75% load (h)	Version	Dimensions (cm)	kg	dB(A) @ 7m	LWA
		Alternator			1 ~ 230V	3 ~ 400V												
952990502	EPDIN6500T	6020 (So)	6.5	6	26	8.7	B&S Vanguard 296442 (V)	14	10.2	480	8	2.8	2.9	BDIN1-AVR-ET-F-FG-FPm-h-LH-OP-PI-R-TB-TE-TM-V-W	70x44x58	106	74	*
952990503	EPDIN6500TE	6220 (So)	6.5	6	26	8.7	B&S Vanguard 296447 (V)	14	10.2	480	8	2.8	2.9	BDIN1-AVR-E-ET-F-FG-FPm-h-LH-OP-PI-R-TB-TE-TM-V-W	70x44x58	116	74	*
952990802	EPDIN8500T	6140 (So)	8.5	8	34	11.5	B&S Vanguard 356442 (V)	16	12	570	10	3.8	2.6	BDIN1-AVR-ET-F-FG-FPm-h-LH-OP-PI-R-TB-TE-TM-V-W	82x44x58	130	74	*
952990803	EPDIN8500TE	6375 (So)	8.5	8	34	11.5	B&S Vanguard 356447 (V)	16	12	570	10	3.8	2.6	BDIN1-AVR-E-ET-F-FG-FPm-h-LH-OP-PI-R-TB-TE-TM-V-W	82x44x58	140	74	*
950990903	EPDIN9000TE	6065 (So)	9	8	34	11.5	Honda GX630 (V)	19	14	688	10	3.8	2.6	BDIN1-AVR-E-ET-F-FG-FPm-h-LH-O-PI-TB-TE-TM-V-W	82x44x58	141	74	*
952991303	EPDIN13000TE	6890 (So)	12.5	12	48	17	B&S Vanguard 386447 (V)	20	15	627	10	4.5	2.2	BDIN1-AVR-E-ET-F-FG-FPm-h-LH-O-PI-TB-TE-TM-V-W	82x44x58	150	74	*
950991303	EPDIN13500TE	6320 (So)	13.5	12	48	17	Honda GX630 (V)	19	14	688	10	4.5	2.2	BDIN1-AVR-E-ET-F-FG-FPm-h-LH-O-PI-TB-TE-TM-V-W	82x44x58	150	74	*
940991603	EPDIN16000TE	7305 (GTS)	16	14.5	48	21	Honda GX690 (V)	20	15	688	10	5	2	BDIN2-AVR-E-ET-F-FG-FPm-h-LH-O-PI-TB-TE-TM-V-W	82x44x58	162	74	*

Generators with * are not compliant with DIN14685-1 and cannot be used outdoors in the EU. For applications of generating sets indoors, or if you want to integrate these generators in vehicles, please contact us.

OPTIONS for EUROPOWER DIN14685 / DIN14685-1 generating sets			Price in EURO (ex. VAT)
Nr.	Description		
DIN0	RECOIL STARTER FOR GX630-GX690		300
DIN1	EARTH LEAKAGE PROTECTION 3 x 400 V (30 mA) (only possible with thermal magnetic breakers with C-characteristic)		215
DIN2	EARTH PIN WITH 4 METER EARTH-CABLE 16 mm ²		38
DIN3A	INSULATION PROTECTION "IB-Protector" 400 V with power relay		385
DIN3B	INSULATION PROTECTION "IB-Protector" 400 V without power relay		260
DIN3C	INSULATION PROTECTION BENDER (IR423-D43-2) 400 V with optical and acoustical warning, with power relay (required to comply with DIN14685-1)		760
DIN4	EMERGENCY STOP		27
DIN5	ELECTRIC CHOKE (only for GX630/GX690)		255
DIN6	12 V DC BATTERY CHARGE CONNECTOR		100
DIN7	12 V DC EXTERNAL BATTERY CONNECTOR		150
DIN8	PHASE SEQUENCE SWITCH		110
DIN9	EXTRA SOCKET 5P 400V (without separate thermal magnetic protection)		115
DIN10	3-WAY FUEL COCK WITH QUICK COUPLINGS FOR CONNECTION TO EXTERNAL TANK (required to comply with DIN14685-1)		145
DIN11	KIT JERRYCAN 20 L with jerrycan cap and fuel hose (without quick couplings)		82
DIN12	FLEXIBLE EXHAUST TUBE 1,5m following DIN14572 - 50x1500 (adapter for muffler included)		215
DIN13	PROTECTION COVER (RED or YELLOW)		250
DIN14	SPECIAL RAL COLOR FOR EPDIN VERSIONS (standard colours are: yellow and red, stock colour is yellow)		230

P.T.O. three-phase tractor alternators IP23

IP 23

1. Three-phase synchronous brushes alternators - 2 poles - 3000rpm - cosφ 0.8

Three-Phase	50Hz	Sincro alternator	Tractor HP on PTO *	Power Take Off	Weight	Control panel	Price in EURO (ex. VAT)
TYPE	kVA		HP max.	rpm	kg		
AWT2-13	13,5	FT2MES	27	430	116	AT01	1705
AWT2-16	16	FT2MFS	32	430	125	AT01	1765
AWT2-22	22	GT2MA	45	430	144	AT02	2205
AWT2-27	27	GT2MB	53	430	149	AT03	2365
AWT2-31	31,5	GS2LA	62	430	189	AT03	2870
AWT2-38	38	GS2LB	73	430	205	AT03	3015

2. Three-phase synchronous brushes alternators - 4 poles - 1500rpm - cosφ 0.8

Three-Phase	50Hz	Sincro alternator	Tractor HP on PTO *	Power Take Off	Weight	Control panel	Price in EURO (ex. VAT)
TYPE	kVA		HP max.	rpm	kg		
AWT4-17	17,5	GT4MA	35	430	146	AT02	2295
AWT4-22	22	GT4MB	43	430	157	AT02	2535
AWT4-27	27	GT4LA	52	430	200	AT03	2925
AWT4-30	30	GT4LB	57	430	215	AT03	3175

3. Brushless three-phase synchronous alternators with AVR - 4 poles - 1500rpm - cosφ 0.8

Three-Phase	50Hz	Sincro alternator	Tractor HP on PTO *	Power Take Off	Weight	Control panel	Price in EURO (ex. VAT)
TYPE	kVA		HP max.	rpm	kg		
AWB4-17	17,5	HB4SB	35	430	177	AT05	2770
AWB4-22	22	HB4CA	44	430	190	AT05	2880
AWB4-25	25	IB4SA	49	430	205	AT06	2975
AWB4-30	30	IB4SB	59	430	228	AT06	3155
AWB4-36	36	IB4MA	69	430	245	AT06	3655
AWB4-45	45	IB4MB	80	430	258	AT06	3815
AWB4-50	50	IB4LA	93	430	298	AT07	4305
AWB4-65	65	SK225SM	118	400	335	AT07	5730
AWB4-80	80	SK225MS	139	400	362	AT07	6330
AWB4-93	93	SK225MM	165	400	382	AT07	7125

* min. suggested tractor HP on PTO, for 50Hz and at specified PTO rpm.

Options	Price in EURO (ex. VAT)
Over and under voltage protection mounted on the PTO as from 27kVA	275
60Hz/3600rpm/1800rpm instead of 50Hz/3000rpm/1500rpm	on request
Special control panels on demand	on request

Control panel

TYPE

- AT01 1 CEE socket 230V - 16A - 3 poles + 1 CEE socket 400V - 32A - 5 poles + earth leakage breaker (30mA) and 4 poles thermal magnetic breaker + single phase thermal protection + voltmeter + frequency meter
- AT02 1 CEE socket 230V - 16A - 3 poles + 1 CEE socket 400V - 32A - 5 poles + earth leakage breaker (30mA) and 4 poles thermal magnetic breaker and 2 poles thermal magnetic breaker + V/A/Hz-meter + h-counter
- AT03 1 CEE socket 230V - 16A - 3 poles + 1 CEE socket 400V - 63A - 5 poles + earth leakage breaker (30mA) and 4 poles thermal magnetic breaker and 2 poles thermal magnetic breaker + V/A/Hz-meter + h-counter
- AT04 1 schuko socket 230V - 16A + 1 CEE socket 230V - 16A - 3 poles + 1 CEE socket 400V - 32A - 5 poles + earth leakage breaker (30mA) and 4 poles thermal magnetic breaker + 2 single phase thermal protections + V/A/Hz-meter + h-counter
- AT05 1 schuko socket 230V - 16A with thermal protection + 1 CEE socket 230V - 32A - 3 poles + 1 CEE socket 400V - 32A - 5 poles + earth leakage breaker (30mA) and 4 poles and 2 poles thermal magnetic breaker + V/A/Hz-meter + h-counter
- AT06 1 schuko socket 230V - 16A + 1 CEE socket 230V - 32A - 3 poles + 1 CEE socket 400V - 63A - 5 poles + earth leakage breaker (30mA) and 4 poles and 2 poles thermal magnetic breaker + single phase therm. prot. + V/A/Hz-meter + h-counter
- AT07 1 schuko socket 230V - 16A + 1 CEE socket 230V - 32A - 3 poles + 1 CEE socket 400V - 125A - 5 poles + earth leakage breaker (30mA) and 4 poles and 2 poles thermal magnetic breaker + single phase therm. prot. + V/A/Hz-meter + h-counter



Special control panels

P.T.O. three-phase tractor alternators IP44

IP 44

1. Three-phase synchronous brushes alternators - 2 poles - 3000rpm - cosφ 0.8

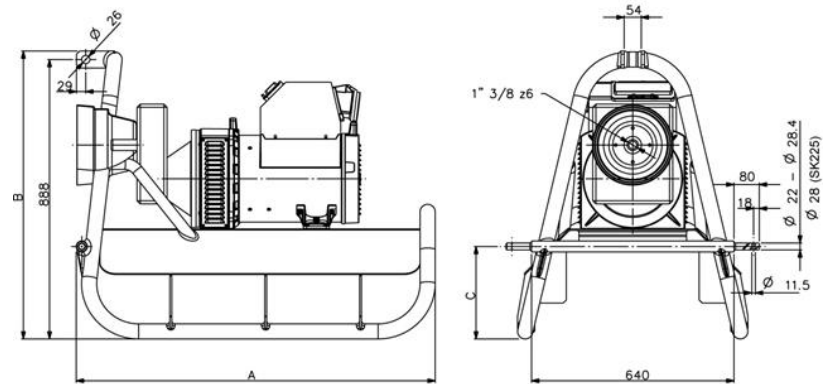
Three-Phase	50Hz	Sincro alternator	Tractor HP on PTO *	Power Take Off	Weight	Control panel	Price in EURO (ex. VAT)
TYPE	kVA		HP max.	rpm	kg		
AWT2-12X	12,1	FT2MES	24	430	117	AT01	1855
AWT2-14X	14,4	FT2MFS	28	430	126	AT01	1920
AWT2-19X	19,8	GT2MA	40	430	147	AT02	2320
AWT2-24X	24,3	GT2MB	48	430	152	AT02	2480
AWT2-28X	28,3	GS2LA	55	430	192	AT03	2985
AWT2-34X	34,2	GS2LB	65	430	208	AT03	3135

2. Three-phase synchronous brushes alternators - 4 poles - 1500rpm - cosφ 0.8

Three-Phase	50Hz	Sincro alternator	Tractor HP on PTO *	Power Take Off	Weight	Control panel	Price in EURO (ex. VAT)
TYPE	kVA		HP max.	rpm	kg		
AWT4-15X	15,7	GT4MA	31	430	149	AT02	2505
AWT4-19X	19,2	GT4MB	39	430	160	AT02	2745
AWT4-24X	24,3	GT4LA	46	430	203	AT02	3040
AWT4-27X	27	GT4LB	50	430	218	AT03	3295

3. Brushless three-phase synchronous alternators with AVR - 4 poles - 1500rpm - cosφ 0.8

Three-Phase	50Hz	Sincro alternator	Tractor HP on PTO *	Power Take Off	Weight	Control panel	Price in EURO (ex. VAT)
TYPE	kVA		HP max.	rpm	kg		
AWB4-15X	15,8	HB4SB	32	430	180	AT05	2970
AWB4-19X	19,8	HB4CA	39	430	192	AT05	3075
AWB4-22X	22,5	IB4SA	44	430	208	AT06	3180
AWB4-27X	27	IB4SB	53	430	230	AT06	3235
AWB4-32X	32,4	IB4MA	61	430	248	AT06	3820
AWB4-40X	40,5	IB4MB	72	430	261	AT06	3985
AWB4-45X	45	IB4LA	83	430	301	AT06	4455
AWB4-58X	58,5	SK225SM	105	400	339	AT07	5890
AWB4-72X	72	SK225MS	124	400	366	AT07	6490
AWB4-83X	83,7	SK225MM	147	400	386	AT07	7280



* min. suggested tractor HP on PTO, for 50Hz and at specified PTO rpm.

Options	Price in EURO (ex. VAT)
Over and under voltage protection mounted on the PTO as from 27kVA	275
60Hz/3600rpm/1800rpm instead of 50Hz/3000rpm/1500rpm	on request
Special control panels on demand	on request

TYPE	A (mm)	B (mm)	C (mm)
FT / GT / FB	929	915	294
GS / HB / IB	1135	915	294
SK225	1204	923	324,5



Bunded Diesel Fuel Tanks - IBCs, with VlareM/KIWA/UN/ADR/RID/IMDG approval



Content IBC (Liter)	Dimensions l x w x h (mm)	A Standard painted	B Generator painted	Surcharge galvanised
		Price in EURO (ex. VAT)		
500	1205x1192x1054	2775	3080	270
700	1440x1192x1054	2920	3225	270
995	1560x1192x1260	3070	3380	345
1150	1736x1192x1260	3580	3885	420
1600	2276x1192x1260	3905	4215	555
2200	2306x1192x1510	4385	4690	555
3000	3086x1192x1510	5390	5695	1020
3000HC	2306x1192x1810	5150	5455	950
3000CL	2306x1512x1510	5255	5565	935

Energy Tender+ -version is standard with filling opening 2 ½", level indication tube 1 ½", suction pipe 1", spare socket 2", ventilation with leakage security, probe in 1" socket, stackable (filled), 4 lifting points, forklift pockets on 4 sides
 Energy Tender+ Generator -version is Energy Tender+ -version, including content meter and 2 x ½" generator connection (suction + return), both with ball valve

General technical specifications:

Complies with VlareM 2 and international traffic norms VLG/ADR. Delivered with VlareM prototype approval (by AIB-Vinçotte), UN approval and logbook. All IBCs come with pump storage room (30cm), with overturn safety and with overflow-protection. Material thickness 3mm. Removable inner tank.



Pumps for IBCs (except for HC models)

Manual diesel pumps

Manual pump K3, 60 Liter/min.

Electrical diesel pumps

12V, 85 Liter/min.
 24V, 85 Liter/min.
 Duo 12V-30 Liter/min. and 24V-50 Liter/min.
 230V 55 Liter/min.
 230V 72 Liter/min.
 230V 100 Liter/min.

Double diesel pumps

K3 + 12V-85 Liter/min.
 K3 + 24V-85 Liter/min.
 K3 + Duo 12/24V-30/50 Liter/min.
 K3 + 230V-55 Liter/min.

Accessories

K33 mechanical counter (3 digits)
 K24 diesel digital counter (4 digits)
 Metal grid on floor of pump storage room
 Integrated stainless steel AdBlue tank 60 Liter, for Energy Tender+ 995
 Integrated stainless steel AdBlue tank 220 Liter, for Energy Tender+ 1150 to 1600
 Integrated stainless steel AdBlue tank 250 Liter, for Energy Tender+ 2200 to 3000 / 3000CL
 Integrated stainless steel AdBlue tank 360 Liter, for Energy Tender+ 3000HC
 Electrical pump AdBlue 12V, 30 Liter/min.
 Electrical pump AdBlue 24V, 30 Liter/min.
 Electrical pump AdBlue 230V, 30 Liter/min.
 K24 AdBlue digital counter (4 digits)

Price in EURO (ex. VAT)
565
770
770
595
515
700
805
1055
1055
895
800
175
195
80
1165
1515
1590
1725
565
565
815
190

All diesel pumps are with 5m fuel hose 1" and automatic nozzle, with fuel filter.
 All AdBlue pumps are with 4m hose and manual nozzle.

Legend



Sockets

A	2 sockets 230V - 16A
A0	1 socket 230V - 16A
A1	1 socket 230V - 16A + 2 sockets CEE 230V - 16A
A2	1 socket 230V - 16A + 1 socket CEE 230V - 32A
A3	1 socket 230V - 16A + 1 socket CEE 230V - 16A + 1 socket CEE 230V - 32A
A4	1 socket 230V - 16A + 2 sockets CEE 230V - 32A
A5	1 socket 230V - 16A + 1 socket CEE 230V - 63A
A6	1 socket 230V - 16A + 1 socket CEE 230V - 16A + 1 socket CEE 230V - 32A + 1 socket CEE 230V - 63A
A7	2 sockets 230V - 16A + 1 socket CEE 230V - 32A
A8	2 sockets 230V - 16A + 1 socket CEE 230V - 16A + 1 socket CEE 230V - 32A
A9	2 sockets 230V - 16A + 1 socket CEE 230V - 16A
A10	2 socket 230V - 16A + 1 socket CEE 230V - 16A + 2 socket CEE 230V - 32A + 1 socket CEE 230V - 63A
A11	1 socket 230V - 16A + 1 socket CEE 230V - 16A
B	1 socket 230V - 16A + 1 socket CEE 400V - 16A 5 p.
B3	1 socket 230V - 16A + 1 socket CEE 230V - 16A + 1 socket CEE 400V - 16A 5 p.
B4	1 socket 230V - 16A + 1 socket CEE 230V - 32A + 1 socket CEE 400V - 32A 5 p.
B5	2 sockets 230V - 16A + 1 socket CEE 230V - 16A + 1 socket CEE 230V - 32A + 1 socket CEE 400V - 16A 5 p. + 1 socket CEE 400V - 32A 5 p.
B6	1 socket 230V - 16A + 1 socket CEE 230V - 32A + 1 socket CEE 400V - 16A 5 p.
B7	2 sockets 230V - 16A + 1 socket CEE 400V - 16A 5 p.
B8	1 socket 230V - 16A + 1 socket CEE 230V - 32A + 2 sockets CEE 400V - (32A 5 p. + 125A 5 p.)
B9	2 sockets 230V - 16A + 1 socket CEE 230V - 16A + 1 socket CEE 400V - 16A 5 p.
B10	1 socket 230V - 16A + 2 sockets CEE 230V - 16A + 1 socket CEE 400V - 16A 5 p.
B11	2 sockets 230V - 16A + 1 socket CEE 230V - 16A + 1 socket CEE 230V - 32A + 1 socket CEE 400V - 16A 5 p.
B12	1 socket CEE 230V - 63A + 1 socket CEE 400V - 63A 5 p.
B13	1 socket 230V - 16A + 1 socket CEE 230V - 63A + 1 socket CEE 400V - 63A 5 p.
B14	2 sockets 230V - 16A + 1 socket CEE 230V - 16A + 1 socket CEE 230V - 32A + 1 socket CEE 400V - 32A 5 p. + 1 socket CEE 400V - 63A 5 p.
B15	1 socket 230V - 16A + 1 x CEE 230V - 16A + 1 x CEE 230V - 32A + 1 x CEE 400V - 16A 5 p. + 1 x CEE 400V - 32A 5 p. + 1 x CEE 400V - 63A 5 p. + 1 x CEE 400V - 125A 5 p.

B16	1 socket 230V - 16A + 1 x CEE 230V - 16A + 1 x CEE 230V - 32A + 1 x CEE 230V - 63A + 1 x CEE 400V - 16A 5 p. + 1 x CEE 400V - 32A 5 p. + 1 x CEE 400V - 63A 5 p. + 1 x CEE 400V - 125A 5 p.
B17	1 socket CEE 230V - 16A + 1 socket CEE 400V - 16A 5 p.
B18	3 sockets 230V - 16A + 1 socket CEE 400V - 16A 5 p.
B19	1 socket 230V - 16A + 1 socket CEE 400V - 32A 5 p.
B20	2 sockets 230V - 16A + 1 socket CEE 400V - 16A 5 p. + 1 socket CEE 400V - 32A 5 p.
BDIN1	1 socket CEE 400V - 16A 5 p. IP67 + 3 Schuko sockets (DIN49442) 230V - 16A 3 p. IP68
BDIN2	1 socket CEE 400V - 32A 5 p. IP67 + 3 Schuko sockets (DIN49442) 230V - 16A 3 p. IP68
Version	
AC	Automatic choke (for temperatures > 0°C)
AIS	ECO-Throttle (Automatic Idle System)
Amp1	1 Amperemeter
Amp3	3 Amperemeters
AREP	Alternator Regulation Excitation Polymorphic
AVR	Automatic voltage regulator
BFT	Bunded fuel tank
CLS	Low coolant level switch
DC12	12V DC Battery Charger
DC24	24V DC Battery Charger
DH	Document holder
DS	Dual speed with economy switch
DSE	Deep Sea Electronics module DSE4520 up to 275kVA and DSE7420 as of 300kVA
E	Electric start, battery included (battery acid not included)
E1	Electric start, maintenance free battery included
EnB	Electric start, battery not included
EC	Electric choke
Erpm	Electronic speed governor
ES	Emergency stop
ET	Earth tester with pilot lamp
F	Frame
FG	Mechanical fuel level meter
FH	Integrated forklift holes
FI	Earth leakage protection 30mA
FI2	Earth leakage protection 30mA without earth pin
FI4	Earth leakage protection 30mA with earth pin and 4m earth cable
FIA	Earth leakage protection 30mA-30A, adjustable, with earth pin and 4m earth-cable

FLM	Fuel level meter
FP	Fuel pump 12V
FPM	Membrane fuel pump
FFPM	Manual fuel feed pump
GALV	Galvanised chassis with forklift holes and 20 mm bumper
h	Hour counter
Hz	Frequency meter
IB	Insulation protection
LE	Central lifting eye
LE2	2 Lifting eyes
LFLS	Low fuel level switch
LFLS2	Double low fuel level switch (alarm + shut down)
LH	4 Lifting handles
LS2	Leroy Somer alternator System 2 for tropical environment
M	Muffler (not mounted on the engine) + flange (supplied loose)
MS	Magneto-Stop
O	Oil guard
ODP	Oil drain pump
OL	Low oil pressure control lamp
OP	Low oil pressure guard
P	Portable
PAI	Preheating air intake
PC	5 Powersafe power connectors
PI	Illuminated control panel
R	Recoil starter
T+	Mecc Alte alternator Total+ for tropical environment
TB	Tool box with spare parts
TC	Terminal power connection
TE	Securing eyes for transportation
Th	Circuit breaker
TM	Thermal magnetic breaker
TM1	Thermal magnetic breaker, with tripping coil (not connected)
TM2	Thermal magnetic breaker with tripping coil and with individual thermal magnetic breakers on each socket
TP	High temperature security
V	Voltmeter
VF	Viscous fan clutch
VS	Voltmeter selector switch
W	Power meter with maximum indication
WS	Water separator
WSFP	Water separator / Fuel prefilter
Y	E1+FP+h+MS+OP+TM+TP+V
Z	AMP+AVR+BFT+ES+FH+FLM+Hz+IB+LE+LFLS+PI